

Vol. 25



\$20.00

B&M HARDWARE

Timely Hardware

Window & Door Hardware
House Restoration Hardware
Furniture & Cabinet Hardware
Classic, Traditional & Vintage Styles



Timely Hardware • 4125 Avenida de la Plata • Oceanside CA 92056

Order Hotline: (800) 783-2212 • Customer Service: (760) 630-1522

Email: orders@timelyhardware.com

Website: www.timelyhardware.com

HIGH QUALITY - WHOLESALE PRICES - SAME DAY SHIPPING



Timely Hardware



A DIVISION OF B&M HARDWARE CO.

email: orders@timelyhardware.com

**Good to know: brass repels
germs, bacteria and viruses**



Our warehouse near San Diego CA, where our products are stocked.
From here we ship your orders on the same day they are received.

BAR-CODE LABELS

Do you need bar-code labels on your products?
We can do it for you.
Please contact us to see how you can use this service.



TABLE OF CONTENTS

BUILDERS' HARDWARE	PAGE
Door hardware	1-38
Deadbolts	27
Door accessories	32-33
Door handles	11-13
Door hinges	38
Door key hole plates and keys	33
Door knobs	15-17
Door latch sets: how to order	28-31
Door latches	29
Door plates	20-23
Door roses	24-25
Door spindles	18-19
Door strikes	32
Entrance door mortise locks	1-7
Entry lock sets: how to order	6-10
Mortise locks - exterior doors	1-10
Mortise locks - interior doors	26-27
Picture (molding) hooks	121
Screen door hardware	34-35
Surface bolts	36-37
Window hardware	36-48
Casement window hardware	44-45
Sash window hardware	40-43
Shutter hardware	46-48
Storm screen/window hardware	47
Surface bolts	36-37
Transom window hardware	39
GENERAL HARDWARE	
Furniture and cabinet hardware	49-131
Armoire hinges	50
Art deco, streamline, moderne styles	88-89
Arts & crafts, craftsman and mission styles	92-97
Bakelite, waterfall hardware	109
Bed parts	99
Bookcase hardware	80, 111
Cabinet door pulls	56-62, 88-91
Card pulls and label holders	116

Continues on next page

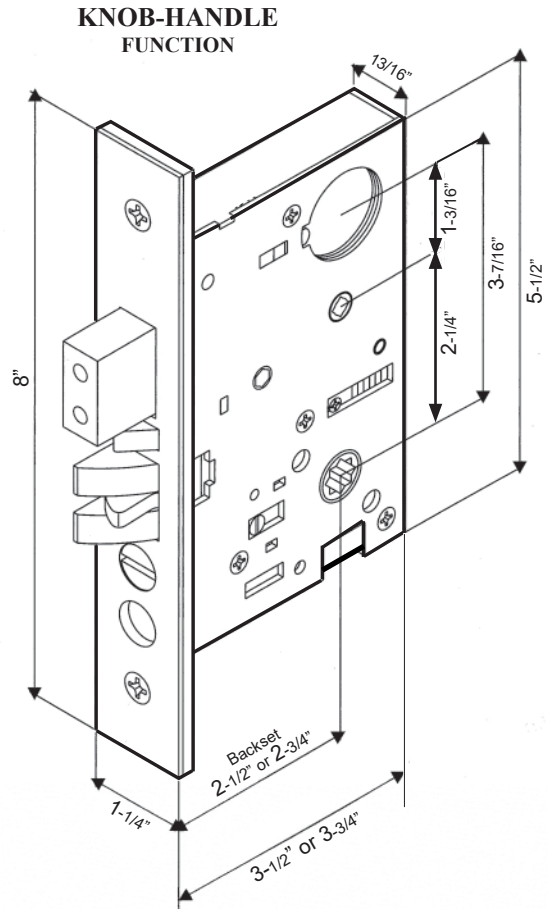
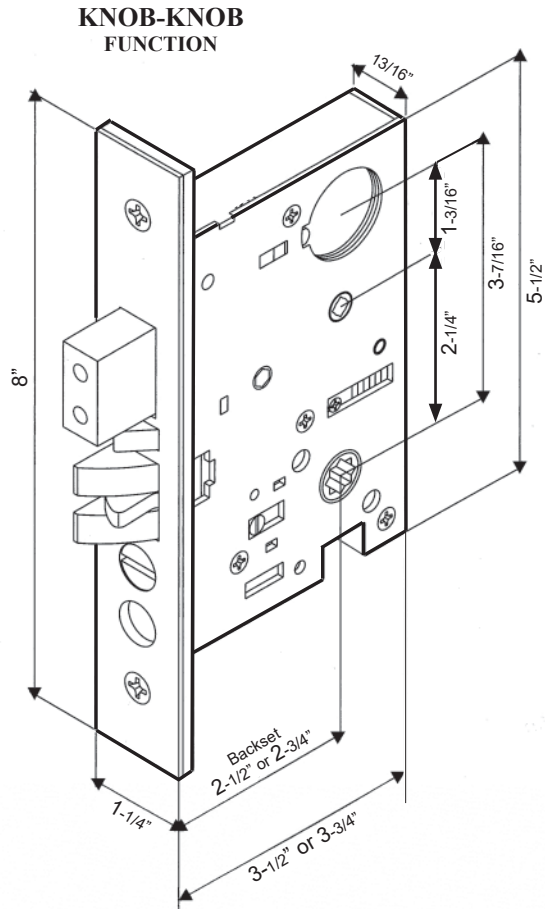
TABLE OF CONTENTS

PRODUCT	PAGE
Casters and toe caps	112-115
China cabinet pulls	84-85
Chippendale style	64-65 , 68-69 , 71 , 83-84
Colonial revival	64-65 , 68-74, 77 , 82-84
Contemporary classic	58-60 , 79, 90-91, 94-95
Depression era	70 , 72 , 77 , 109
Desk hardware	116-119
Displays	132
Drawer drop pulls with 1 post	70-75 , 92-93
Drawer drop pulls with 2 posts	63-69
Drawer pulls	56-74
Drawer/bin pulls	56-57
Eastlake style	66 , 71, 74-75, 82, 122
File cabinet hardware	116-117
Glass knobs and pulls	126-131
Heppelwhite, sheraton, Duncan Phife styles	69-70 , 77 , 82-83 , 115
Hinges	48-55 , 115
Hoosier cabinets hardware	100-103
Ice box and refrigerator hardware	108
Iron hardware (black)	104-106
Keyhole plates	82-85
Knobs	75-81
Label holders and card pulls	116
Latches. Catches, turns	85-87
Locks and keys	118-120
Mirror hardware	115
Miscellaneous hardware	121
Morris chair hardware	110
Pendant (drop) pulls	72-74
Porcelain knobs	125
Push button pulls	85
Ring pulls	70-75
Screws and fasteners	97-99
"Swan neck" pulls	63-65
Victorian styles	57 , 60 , 63 , 66-67 , 71 , 74-78 , 82-84 , 86-87 , 104-107
Wood products	15 , 74-75 , 122-124
Household	105-121
Hall tree, costumer and wall hooks	105-108
Picture (molding) hooks	121



HIGH QUALITY ENTRANCE DOOR MORTISE LOCKS

For new doors and for replacing locks in old doors



Stock			
Number	Backset	Function	Type
8895	2 3/4"	K-K	With egress
8898	2 1/2"	K-K	With egress
8905	2 3/4"	K-K	Without egress
8908	2 1/2"	K-K	Without egress

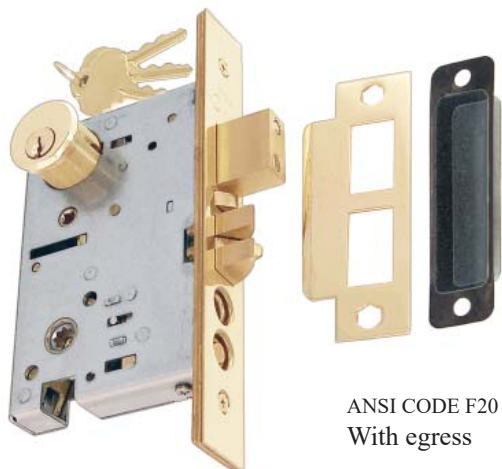
Stock			
Number	Backset	Function	Type
8896	2 3/4"	K-H	With egress
8899	2 1/2"	K-H	With egress
8906	2 3/4"	K-H	Without egress
8909	2 1/2"	K-H	Without egress

For detailed description and specs see pages 2-5

Guide for choosing locks on pages 6-7

Guide for ordering complete lock sets on pages 8-10

High quality, precision made mortise lock cases for entrance doors
For new doors or as replacements for Sargent, Corbin and Russwin locks in old doors
Field reversible



ANSI CODE F20
With egress

8898-PB polished brass
8898-PL lacquered polished brass
8898-OB oil rubbed bronze
8898-BN brushed nickel
8898-PN polished nickel
 2 1/2" backset
 Entrance - with egress
 Knob-knob function

**Knob-Knob
function**

2 1/2"
backset

Trim available
in 5 finishes



ANSI CODE F08
Without egress

8908-PB polished brass
8908-PL lacquered polished brass
8908-OB oil rubbed bronze
8908-BN brushed nickel
8908-PN polished nickel
 2 1/2" backset
 Entrance - without egress
 Knob-knob function

Backset: 2 1/2"
 Steel lock case: 3 3/4" wide (deep), 5 1/2" high, 13/16" (.812") thick
 Brass face plate: 1 1/4" wide, 8" high
 Keyway cylinder spacing: 3 7/16" (3.43")
 Thumb turn spacing: 2-1/4"
 Brass strike plate: 4 7/8" high, 1 1/4" wide (1 7/8" wide at lip)
 For 1 3/4" thick doors (range: 1 5/8" - 1 7/8")

- Anti-friction latch and auxiliary (guard) latch
- Stop/release buttons
- Deadbolt with 2 saw-proof hardened steel inserts
- Cylinder plug and dust box
- Includes keyway cylinder and 3 keys
- Face plate detachable to set cylinder keyway and plug, and to reverse handing
- 1 year warranty on the lock or its parts (excluding normal wear)
- **Locks are field reversible (shipped right-handed)**

Will work just as well
in new doors as in
the the restoration of
doors of old houses

For thicker doors order them with thick door kits
 Additional keyway cylinders can be ordered by themselves (see page 15)

Mortise locks can be ordered by themselves (with keyway cylinder, 3 keys, strike plate and dust box) as shown here
 or as complete door sets with doorknobs and door trim as described in pages 8-10

High quality, precision made mortise lock cases for entrance doors
For new doors or as replacements for Sargent, Corbin and Russwin locks in old doors
Field reversible



ANSI CODE F20
With egress

**Knob-Knob
function**



ANSI CODE F08
Without egress

2 3/4"
backset

8895-PB polished brass
8895-PL lacquered polished brass
8895-OB oil rubbed bronze
8895-BN brushed nickel
8895-PN polished nickel
 2 3/4" backset
 Entrance with egress
 Knob-knob function

Trim available
in 5 finishes

8905-PB polished brass
8905-PL lacquered polished brass
8905-OB oil rubbed bronze
8905-BN brushed nickel
8905-PN polished nickel
 2 3/4" backset
 Entrance - without egress
 Knob-knob function

Backset: 2 3/4"
 Steel lock case: 3 3/4" wide (deep), 5 1/2" high, 13/16" (.812") thick
 Brass face plate: 1 1/4" wide, 8" high
 Keyway cylinder spacing: 3 7/16" (3.43")
 Thumb turn spacing: 2-1/4"
 Brass strike plate: 4 7/8" high, 1 1/4" wide (1 7/8" wide at lip)
 For 1 3/4" thick doors (range: 1 5/8" - 1 7/8")

- Anti-friction latch and auxiliary (guard) latch
- Stop/release buttons
- Deadbolt with 2 saw-proof hardened steel inserts
- Cylinder plug and dust box
- Includes keyway cylinder and 3 keys
- Face plate detachable to set cylinder keyway and plug, and to reverse handing
- 1 year warranty on the lock or its parts (excluding normal wear)
- **Locks are field reversible (shipped right-handed)**

Will work just as well
in new doors as in
the the restoration of
doors of old houses

For thicker doors order them with thick door kits
 Additional keyway cylinders can be ordered by themselves (see page 15)

Mortise locks can be ordered by themselves (with keyway cylinder, 3 keys, strike plate and dust box) as shown here
 or as complete door sets with doorknobs and door trim as described in pages 8-10



High quality, precision made mortise lock cases for entrance doors
For new doors or as replacements for Sargent, Corbin and Russwin locks in old doors
Field reversible



ANSI CODE F20
With egress

**Knob-Handle
function**



ANSI CODE F08
Without egress

2 1/2"
backset

- 8899-PB polished brass
- 8899-PL lacquered polished brass
- 8899-OB oil rubbed bronze
- 8899-BN brushed nickel
- 8899-PN polished nickel
- 2 1/2" backset
- Entrance - with egress
- Knob-handle function

Trim available
in 5 finishes

- 8909-PB polished brass
- 8909-PL lacquered polished brass
- 8909-OB oil rubbed bronze
- 8909-BN brushed nickel
- 8909-PN polished nickel
- 2 1/2" backset
- Entrance - without egress
- Knob-handle function

Backset: 2 1/2"
 Steel lock case: 3 3/4" wide (deep), 5 1/2" high, 13/16" (.812") thick
 Brass face plate: 1 1/4" wide, 8" high
 Keyway cylinder spacing: 3 7/16" (3.43")
 Thumb turn spacing: 2-1/4"
 Brass strike plate: 4 7/8" high, 1 1/4" wide (1 7/8" wide at lip)
 For 1 3/4" thick doors (range: 1 5/8" - 1 7/8")

- Anti-friction latch and auxiliary (guard) latch
- Stop/release buttons
- Deadbolt with 2 saw-proof hardened steel inserts
- Cylinder plug and dust box
- Includes keyway cylinder and 3 keys
- Face plate detachable to set cylinder keyway and plug, and to reverse handing
- 1 year warranty on the lock or its parts (excluding normal wear)
- **Locks are field reversible (shipped right-handed)**

Will work just as well
in new doors as in
the the restoration of
doors of old houses

Used with #8859, #8858, and #8857 door handles with thumb-pieces as trim on the exterior side of entrance doors, see p. 11-13

For thicker doors order them with thick door kits
 Additional keyway cylinders can be ordered by themselves (see page 15)

Mortise locks can be ordered by themselves (with keyway cylinder, 3 keys, strike plate and dust box) as shown here
 or as complete door sets with doorknobs and door trim as described in pages 8-10



High quality, precision made mortise lock cases for entrance doors
For new doors or as replacements for Sargent, Corbin and Russwin locks in old doors
Field reversible



ANSI CODE F20
With egress

**Knob-Handle
function**



ANSI CODE F08
Without egress

**2 3/4"
backset**

- 8896-PB** polished brass
- 8896-PL** lacquered polished brass
- 8896-OB** oil rubbed bronze
- 8896-BN** brushed nickel
- 8896-PN** polished nickel
- 2 3/4" backset
- Entrance - with egress
- Knob-handle function

Trim available
in 5 finishes

- 8906-PB** polished brass
- 8906-PL** lacquered polished brass
- 8906-OB** oil rubbed bronze
- 8906-BN** brushed nickel
- 8906-PN** polished nickel
- 2 3/4" backset
- Entrance - without egress
- Knob-handle function

Backset: 2 3/4"
 Steel lock case: 3 3/4" wide (deep) , 5 1/2" high , 13/16" (.812") thick
 Brass face plate: 1 1/4" wide , 8" high
 Keyway cylinder spacing: 3 7/16" (3.43")
 Thumb turn spacing: 2-1/4"
 Brass strike plate: 4 7/8" high , 1 1/4" wide (1 7/8" wide at lip)
 For 1 3/4" thick doors (range: 1 5/8" - 1 7/8")

- Anti-friction latch and auxiliary (guard) latch
- Stop/release buttons
- Deadbolt with 2 saw-proof hardened steel inserts
- Cylinder plug and dust box
- Includes keyway cylinder and 3 keys
- Face plate detachable to set cylinder keyway and plug, and to reverse handing
- 1 year warranty on the lock or its parts (excluding normal wear)
- **Locks are field reversible (shipped right-handed)**

Will work just as well
in new doors as in
the the restoration of
doors of old houses

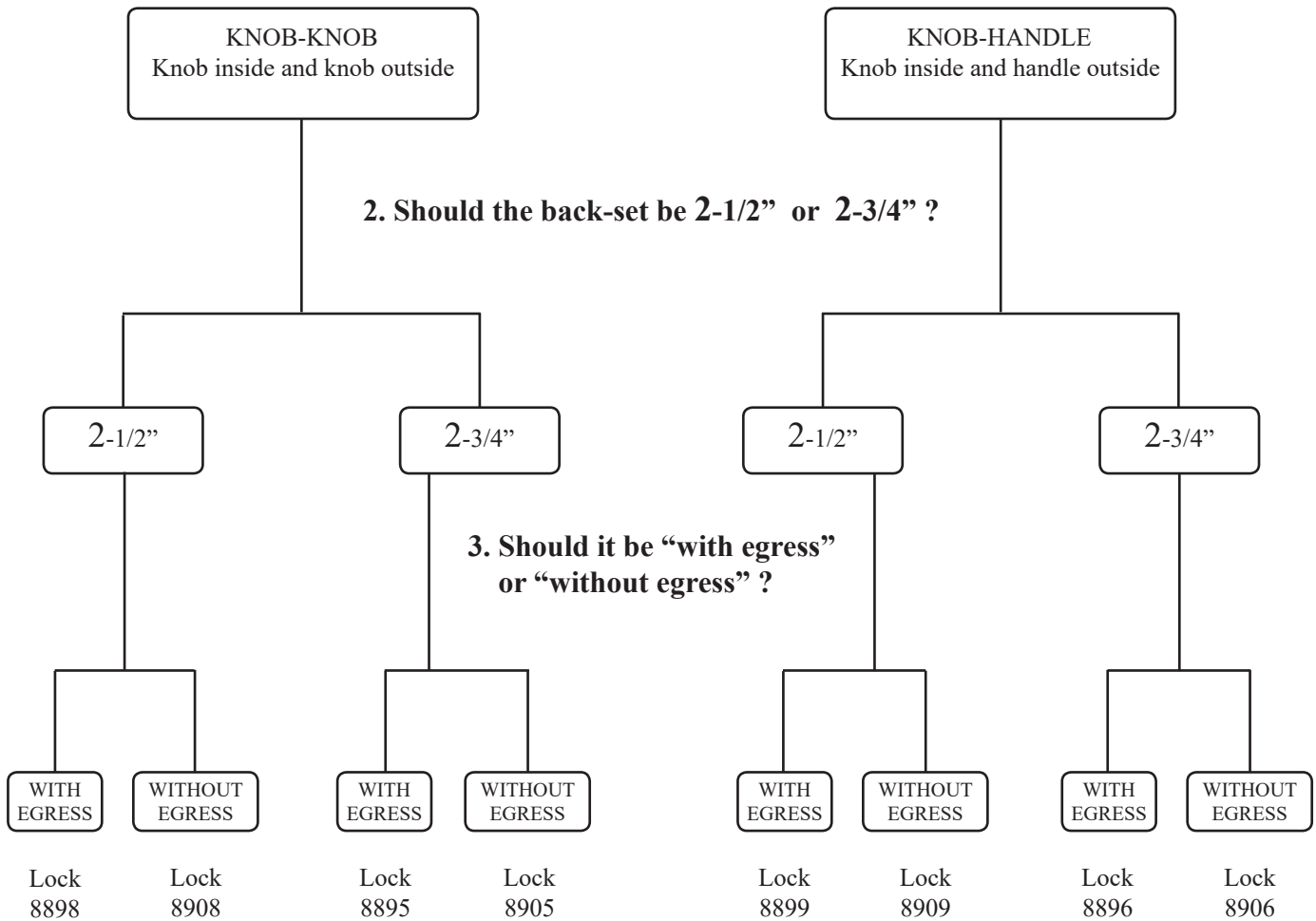
Used with #8859, #8858, and #8857 door handles with thumb-pieces as trim on the exterior side of entrance doors, see p. 11-13

For thicker doors order them with thick door kits
 Additional keyway cylinders can be ordered by themselves (see page 15)

Mortise locks can be ordered by themselves (with keyway cylinder, 3 keys, strike plate and dust box) as shown here
 or as complete door sets with doorknobs and door trim as described in pages 8-10

HOW TO CHOOSE AN ENTRY DOOR MORTISE LOCK

1. Do you want the lock's function to be Knob-Knob or Knob-Handle?



See page 7 for explanation of “Egress” vs. “Non-Egress”

See pages 8-10 on how to choose a full door set with lock, knobs and trim

Locks Without Egress vs. Locks With Egress

Without Egress

- Opening a closed door from inside with the deadbolt engaged: First disengage deadbolt with the thumb-turn, then turn doorknob.
- Stepping outside: Closed door remains unlocked until you use the key (unless you've pushed the stop-button in the lock's front/face plate).
- Will not lock yourself out inadvertently.
- Preferable in ordinary circumstances.

With Egress

- Opening a closed door from inside with the deadbolt engaged: Can be opened with a single action by turning the doorknob.
- Stepping outside: Closed door remains locked until you use the key (unless you've pushed the release-button in the lock's front/face plate).
- Take a key when stepping out.
- Preferable in an emergency, when you need to rush out the door.

"With egress" adds a level of security; however it raises the possibility of locking oneself out - otherwise both types of locks are the same

Without Egress

With Egress

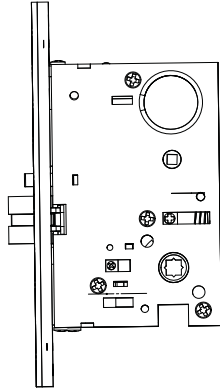
Dependable Security	Yes	Yes
Single Action Exit	No	Yes
Closed door remains unlocked after exit	Yes	No
Push release-button for re-entry without a key	No	Yes
Works with all trim options	Yes	Yes



HOW TO ORDER ENTRY DOOR LOCK SETS

1. Select lock:

Knob-Knob
(K-K lock)



Lock 8895

2-3/4" backset
With egress
Knob-Knob

Lock 8898

2-1/2" backset
With egress
Knob-Knob

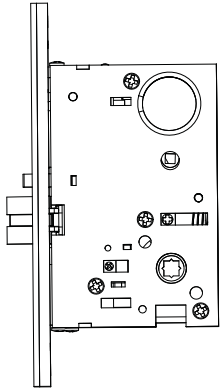
Lock 8905

2-3/4" backset
Without egress
Knob-Knob

Lock 8908

2-1/2" backset
Without egress
Knob-Knob

Knob-Handle
(K-H lock)



Lock 8896

2-3/4" backset
With egress
Knob-Handle

Lock 8899

2-1/2" backset
With egress
Knob-Handle

Lock 8906

2-3/4" backset
Without egress
Knob-Handle

Lock 8909

2-1/2" backset
Without egress
Knob-Handle

2. Select door knob:



8754
Solid core brass



8755
Solid core brass



8752
Solid core brass



8753
Solid core brass



8746
Hollow core brass



8745
Hollow core brass



8851
Glass



8852
Glass



8853
Glass

3. Select the inside trim:

For K-K lock - all plates and all roses.

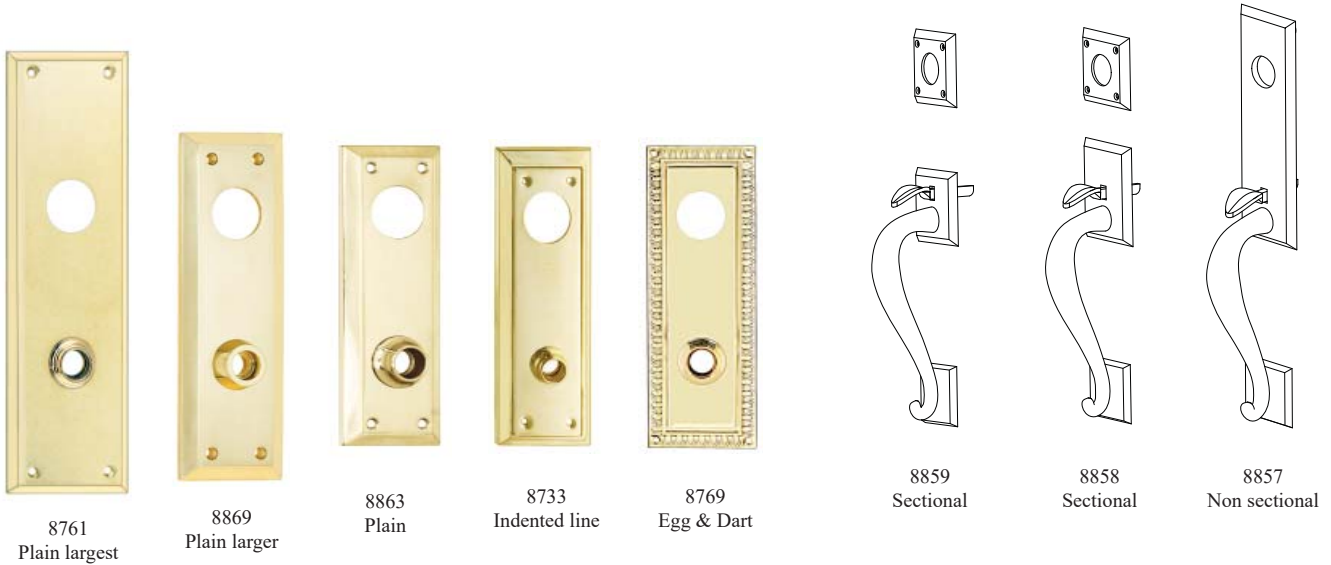
For K-H lock - the first three, larger plates and all roses



4. Select the outside trim:

For K-K lock - all plates.

For K-H lock - all handles.



5. Select the finish:

Polished Brass (PB), Lacquered Polished Brass (PL),
Oil-rubbed Bronze (OB), Polished Nickel (PN), Brushed Nickel (BN)

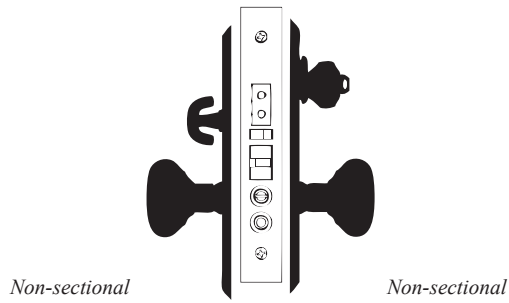
6. Complete stock number format for set:

[Lock]-[Knob]-[Inside Trim]-[Outside Trim]-[Finish]

EXTERIOR MORTISE LOCK SETS



2 complementary small plates or large plates

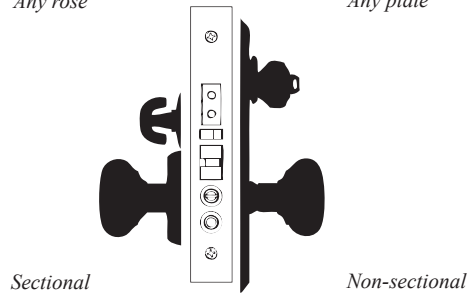


Lock set: knob inside , knob outside
Plate inside , plate outside

Example: 8898-8753-8768-8769-PB
8908-8746-8760-8761-OB
8895-8745-8834-8733-BN
8905-8851-8867-8863-PN

Any rose

Any plate



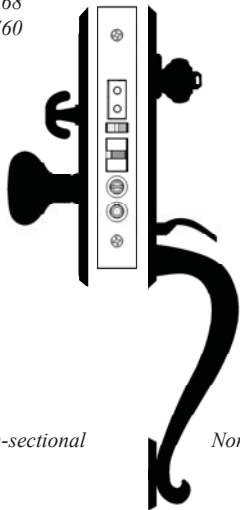
Lock set: knob inside , knob outside
Rose and thumb-turn inside , plate outside

Example: 8898-8754-8742-8733-PB
8908-8851-8873-8869-OB
8895-8746-8740-8863-BN
8905-8745-8741-8733-PN

SPECIFYING ENTRY MORTISE LOCK SETS BY TRIM OPTIONS

Large plate
8855
8868
8760

Handle
8857

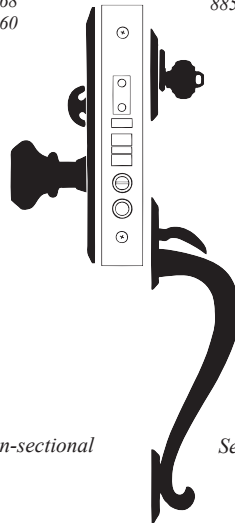


Lock set: knob inside , handle outside
A plate with a thumb turn inside

Example: 8899-8755-8855-8857-PB
8909-8851-8868-8857-OB
8896-8754-8855-8857-BN
8906-8745-8760-8857-BN

Large plate
8855
8868
8760

Handle
8859
8858

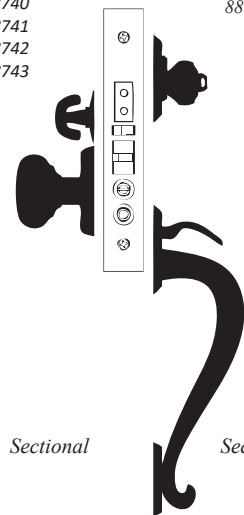


Lock set: knob inside , handle outside
A plate with a thumb turn inside

Example: 8899-8755-8855-8859-PB
8909-8851-8868-8858-OB
8896-8754-8855-8858-BN
8906-8746-8760-8859-BN

Rose
8873
8740
8741
8742
8743

Handle
8859
8858



Lock set: knob inside , handle outside
With rose and thumb turn inside

Example: 8899-8752-8743-8859-PB
8909-8852-8876-8858-OB
8896-8746-8740-8859-BN
8906-8745-8742-8858-BN

EXTERIOR ENTRY DOOR TRIM WITH HANDLES AND THUMB PIECES

For door sets with locks no. 8896, 8899, 8906, 8909



8859
Sectional exterior door trim
Shorter upper plate, handle,
Lower plate, cylinder collar

8858
Sectional exterior door trim
Medium upper plate, handle,
Lower plate, cylinder collar

8857
Non-sectional exterior door trim
Longer upper plate, handle,
Lower plate
Single escutcheon plate

Three entrance door handles. The handles are the same in all three, but they differ in the length of the upper plates. Available in 5 finishes: polished brass, lacquered polished brass, oil-rubbed bronze, polished nickel and brushed (satin) nickel. Combined with different knobs, roses, plates and locks, they offer a large variety of complete door trim sets.

See next two pages for details and specifications



Sectional outside trim

Exterior entrance door plates with handles and thumb pieces

For mortise locks with Knob-Handle function
Come with square cylinder collars



- 8859-PB** polished brass
- 8859-OB** oil rubbed bronze
- 8859-PL** lacquered polished brass
- 8859-BN** brushed nickel
- 8859-PN** polished nickel

Upper trim plate: 2 3/4" X 2 3/4"
Lower trim plate: 2 3/16" X 2 3/16"
Handle center to center holes: 6 9/16"
Handle projection: 2 3/4"
Cylinder collar: 2 3/4" X 2 3/4"
Solid brass
Handle installed with machine screws from inside.
Includes round brass caps to cover heads of screws.
(Keyway cylinder sold separately)



- 8858-PB** polished brass
- 8858-OB** oil rubbed bronze
- 8858-PL** lacquered polished brass
- 8858-BN** brushed nickel
- 8858-PN** polished nickel

Upper trim plate: 2 3/4" X 3 3/4"
Lower trim plate: 2 3/16" X 2 3/16"
Handle center to center holes: 6 9/16"
Handle projection: 2 3/4"
Cylinder collar: 2 3/4" X 2 3/4"
Solid brass
Handle installed with machine screws from inside.
Includes round brass caps to cover heads of screws.
(Keyway cylinder sold separately)

This plate enables using a half-spindle with the knob on the in side of the door



- 8860-PB** polished brass
 - 8860-OB** oil rubbed bronze
 - 8860-PL** lacquered pol. brass
 - 8860-BN** brushed nickel
 - 8860-PN** polished nickel
- Collar plate: 2 3/4" X 2 3/4"
Cylinder hole dia.: 1 3/16" (1.185")
Solid brass
Square collar plate for keyway cylinder can be ordered by themselves
(Keyway cylinder sold separately)



- 8856-PB** polished brass
- 8856-OB** oil rubbed bronze
- 8856-PL** lacquered brass
- 8856-BN** brushed nickel
- 8856-PN** polished nickel

Screws, threaded washers and decorative brass caps used to install door handles can be ordered by themselves

Non-sectional outside trim

Exterior entrance door plate
with handle and thumb piece

For mortise locks with Knob-Handle function

*The long plate
enables using
a half-spindle
with the knob
on the other
side of the door*



8857
Door
plate
with
handle

- 8857-PB** polished brass
- 8857-OB** oil rubbed bronze
- 8857-PL** lacquered brass
- 8857-PN** polished nickel
- 8857-BN** brushed nickel

Upper trim plate: 2 3/4" X 8 3/4"
Lower trim plate: 2 3/16" X 2 3/16"
Handle center to center holes: 6 9/16"
Handle projection: 2 3/4"

Solid brass
*Handle installed with machine screws from inside
Includes round brass caps to cover heads of screws
(Keyway cylinder sold separately)*

*Trim plate 8855 matches
upper plate of door handle
8857 shown on the left*



- 8855-PB** polished brass
 - 8855-PL** lacquered brass
 - 8855-PN** polished nickel
 - 8855-BN** brushed nickel
 - 8855-OB** oil rubbed bronze
- 2 3/4" wide , 8 3/4" high
2 1/4" spacing (hub to thumb turn)
Forged brass
Thumb turn with 3/16" spindle
With doorknob hub and thumb turn

*This plate is used for entry door sets
with knob-handle function (pairing
with handles 8857, 8858, 8859)*

2 3/4" X 8 3/4"
Forged brass plain door trim
With hub and thumb turn

Large plate for entrance door mortise lock sets



Kits to adapt mortise lock sets for thicker doors

Order the lock-set and the appropriate thick door kit

For knob-knob or knob-handle sets



8879

*Medium thick door kit
For 2" thick doors (± 1/8")*



8901

8915-PB polished brass
8915-PL lacquered brass
8915-OB oil rubbed bronze
8915-BN brushed nickel
8915-PN polished nickel
 Kit includes #8879 strike plate,
 1 1/4" long keyway cylinder,
 and one 4" spindle
 or 2 half- or split-spindles
Sold with lock set

8778-20



For knob-knob lock

Or

8845-20-N



And

8845-20-X



For knob-handle lock

* * *

8915-PB-S polished brass
8915-PL-S lacquered brass
8915-OB-S oil rubbed bronze
8915-BN-S brushed nickel
8915-PN-S polished nickel
 Kit includes #8879 strike plate,
 1 1/4" long keyway cylinder,
 and a 4" spindle
Stand-alone, sold by itself

Add the suffix -S if kit is ordered not as part of a lock set



8878

*Thick door kit
For 2-1/4" thick doors (± 1/8")*



8902

8916-PB polished brass
8916-PL lacquered brass
8916-OB oil rubbed bronze
8916-BN brushed nickel
8916-PN polished nickel
 Kit includes #8878 strike plate,
 1 3/8" long keyway cylinder,
 and 2 spindles: 4" and 4 1/2"
 or 1 half- or split-spindle
Sold with lock set

8778-20



And

8770-20



For knob-knob lock

Or

8845-20-N



For knob-handle lock

* * *

8916-PB-S polished brass
8916-PL-S lacquered brass
8916-OB-S oil rubbed bronze
8916-BN-S brushed nickel
8916-PN-S polished nickel
 Kit includes #8878 strike plate,
 1 3/8" long keyway cylinder,
 and 2 spindles: 4" and 4 1/2"
Stand-alone, sold by itself

Add the suffix -S if kit is ordered not as part of a lock set



For doors with standard
1-3/4" thickness (± 1/8")

8900-PB polished brass
8900-PL lacquered brass
8900-OB oil rubbed bronze
8900-PN polished nickel
8900-BN brushed nickel
 Cylinder length: 1 1/8" (29 mm)
 Cylinder diameter: 1 1/8" (29 mm)
 Brass face
 Comes with 3 keys



For 2" thick doors (± 1/8")

8901-PB polished brass
8901-PL lacquered brass
8901-OB oil rubbed bronze
8901-BN brushed nickel
8901-PN polished nickel
 Cylinder length: 1 1/4" (32 mm)
 Cylinder diameter: 1 1/8" (29 mm)
 Brass face
 Comes with 3 keys

Longer keyway cylinders for thicker doors



For 2-1/4" thick doors (± 1/8")

8902-PB polished brass
8902-PL lacquered brass
8902-OB oil rubbed bronze
8902-BN brushed nickel
8902-PN polished nickel
 Cylinder length: 1 3/8" (35 mm)
 Cylinder diameter: 1 1/8" (29 mm)
 Brass face
 Comes with 3 keys

Cylinder shown
with collar #8926



raises
cylinder
by 3/16"
from
plate



cylinder
shown with
collar 8928
on a plate



8926-PB polished brass
8926-OB oil rubbed bronze
 Outside diameter: 1 3/4"
 Bottom inside diameter: 1 3/16"
 Projection: 7/16"
 Solid brass, forged

Round collars for keyway cylinder
(Keyway cylinder sold separately)



8928-PB polished brass
8928-PN polished nickel
8928-OB oil rubbed bronze
8928-BN brushed nickel
 Outside diameter: 1 5/8"
 Bottom inside diameter: 1 1/4"
 Projection: 5/16"
 Solid brass, stamped



Box style

Can be
used with
any rose or
plate in the
catalog

8676-PB polished brass
8676-PL lacquered brass
8676-PN polished nickel
8676-BN brushed nickel
8676-OB oil rubbed bronze
 2 1/4" dia.
 Lower base dia.: 5/8"
 For hubs with diameter from 5/8" to 3/4"
 Spindle: 4" long, 9/32" (7mm) wide
 Red oak knobs with solid brass bases
 Sold in pairs with a steel spindle
 Box style

Wood
rose
for
door
knob



8677
 2 1/8" dia.
 3/4" hub dia.
 Red oak
 Red oak door roses
 Can be used with either
of the wood knobs



Round style

Can be
used with
any rose or
plate in the
catalog

8678-PB polished brass
8678-PL lacquered brass
8678-PN polished nickel
8678-BN brushed nickel
8678-OB oil rubbed bronze
 2 1/4" dia.
 Lower base dia.: 5/8"
 For hubs with diameter from 11/16" to 3/4"
 Spindle: 4" long, 9/32" (7mm) wide
 Red oak knobs with solid brass bases
 Sold in pairs with a steel spindle
 Round style

Octagonal



- 8851-PB** polished brass base
- 8851-PL** lacquered polished brass base
- 8851-PN** polished nickel base
- 8851-OB** oil rubbed bronze base
- 8851-BN** brushed nickel base

Clear glass knob 2 1/4" dia.
 Pressed glass knob with solid brass base

CLEAR GLASS DOORKNOBS

Base bottom dia. (part that goes into hub): .625" (5/8")
 Rim of brass base folds over base of glass knob for secure grip
 Silver under glass amplifies reflected light to show beautiful facets
 Set includes 2 knobs on a spindle and an Allen key for set screws
 Steel spindle 3-1/2" long, 9/32" (7 mm) wide, with 3/8-20 thread

Fluted



- 8852-PB** polished brass base
- 8852-PL** lacquered polished brass base
- 8852-PN** polished nickel base
- 8852-OB** oil rubbed bronze base
- 8852-BN** brushed nickel base

Clear glass knob 2" dia.
 Pressed glass knob with solid brass base

Round



- 8853-PB** polished brass base
- 8853-PL** lacquered polished brass base
- 8853-PN** polished nickel base
- 8853-OB** oil rubbed bronze base
- 8853-BN** brushed nickel base

Clear glass knob 2" dia.
 Pressed glass knob with solid brass base

Plain



- 8746-PB** polished brass
- 8746-PL** lacquered polished brass
- 8746-PN** polished nickel
- 8746-BN** brushed nickel
- 8746-OB** oil rubbed bronze

2 1/4" dia. knobs
 Lower base dia.: 5/8"
 Solid brass
 Hollow core knobs

SOLID BRASS HOLLOW CORE OLD-STYLE DOORKNOBS

Base bottom dia. (part that goes into hub): .625" (5/8")
 Set includes 2 knobs on a spindle and an Allen key for set screws
 Steel spindle 4" long, 9/32" (7 mm) wide, with 3/8-20 thread

Embossed lines pattern



- 8745-PB** polished brass
- 8745-PL** lacquered polished brass
- 8745-PN** polished nickel
- 8745-BN** brushed nickel
- 8745-OB** oil rubbed bronze

2 1/4" dia. knobs
 Lower base dia.: 5/8"
 Solid brass
 Hollow core knobs

Plain



- 8755-PB** polished brass
- 8755-PL** lacquered polished brass
- 8755-PN** polished nickel
- 8755-BN** brushed nickel
- 8755-OB** oil rubbed bronze

Solid brass knob 2 1/4" dia.
Lower base dia.: 5/8"
Solid-core

Embossed lines pattern



- 8754-PB** polished brass
- 8754-PL** lacquered polished brass
- 8754-PN** polished nickel
- 8754-BN** brushed nickel
- 8754-OB** oil rubbed bronze

Solid brass knob 2 1/4" dia.
Lower base dia.: 5/8"
Solid-core



SOLID CORE BRASS DOORKNOBS

Knobs are forged solid, not hollow, one-piece brass
Base bottom dia. (part that goes into hub): .625" (5/8")
Set includes 2 knobs on a spindle and an Allen key for set screws
Steel spindle 4" long, 9/32" (7 mm) wide, with 3/8-20 thread

Ornate pattern



- 8752-PB** polished brass
- 8752-PL** lacquered polished brass
- 8752-PN** polished nickel
- 8752-BN** brushed nickel
- 8752-OB** oil rubbed bronze

Solid brass knob 2 1/4" dia.
Lower base dia.: 5/8"
Solid-core

Egg & dart pattern



- 8753-PB** polished brass
- 8753-PL** lacquered polished brass
- 8753-PN** polished nickel
- 8753-BN** brushed nickel
- 8753-OB** oil rubbed bronze

Solid brass knob 2 1/4" dia.
Lower base dia.: 5/8"
Solid-core



8841-20 Swivel spindle
Length: 3 1/4", width: 9/32" (7 mm), 3/8-20 thread
Steel, zinc plated



8846-16 Swivel spindle 3/8-16 thread
8846-20 Swivel spindle 3/8-20 thread
Length: 3 1/2", width: 9/32" (7 mm)
Steel, zinc plated
Available in two TPI specifications



8843-20 Swivel spindle
Length: 3 1/2", width: 5/16" (8 mm), 3/8-20 thread
Steel, zinc plated

Swivel spindles for privacy function

The two halves of the spindle rotate independently of each other - do not tighten them together all the way



8837-20 Swivel spindle
Length: 3 3/4", width: 9/32" (7 mm), 3/8-20 thread
Steel, zinc plated



8838-20 Swivel spindle 9/32" (7mm) wide
8778-20 Swivel spindle 5/16" (8 mm) wide
Length: 4", thread: 3/8 - 20, zinc plated steel
Available in two widths



8770-20 swivel spindle 9/32" (7mm) wide
Length: 4 1/2", thread: 3/8 - 20, zinc plated steel
A longer spindle for thicker doors



8840-20 Straight spindle
Length: 3", width: 5/16" (8 mm), 3/8-20 thread
Steel, zinc plated



8842-20 Straight spindle
Length: 3 1/4", width: 9/32" (7mm), 3/8-20 thread
Steel, zinc plated



8847-16 Straight spindle 3/8-16 thread
8850-20 Straight spindle 3/8-20 thread
Length: 3 1/2", width: 9/32" (7 mm)
Steel, zinc plated
Available in two TPI specifications



8844-20 Straight spindle
Length: 3 1/2", width: 5/16" (8 mm), 3/8-20 thread
Steel, zinc plated

Straight spindles for passage function



8839-20 Straight spindle 9/32" (7mm) wide
8777-20 Straight spindle 5/16" (8 mm) wide
Length: 4", thread: 3/8 - 20, zinc plated steel
Available in two widths

For old doorknobs with square holes



8774 Plain straight spindle
Length: 4 1/2", width: 9/32" (7mm), zinc plated steel
Door thickness range: from 1 3/8" to 2 1/2"
*Plain unthreaded spindle with 5 threaded holes for screws
Comes with two 10-24 X 3/8" set screws (shown below)*

Sold in bags of 20



8775 set screws for plain spindles
10-24 thread, 3/8" long
Oval head, Phillips, brass screws
*For old doorknobs with square holes and plain spindles (like #8874 shown above)
Sold in bags of 20*

Dummy spindles



Sold in pairs

8848-16 1 3/16" tall 3/8-16 thread
8849-20 15/16" tall 3/8-20 thread
8849-20-L 1 1/2" tall 3/8-20 thread
 Width: 9/32" (7 mm)
 1" base dia.
 Steel, zinc plated
Dummy spindles for rigid knobs
Available in two TPI specifications
Sold in pairs

Split spindle



8845-20-N 2-1/2" long (longer)
8845-20-X 2-1/4" long (shorter)
 Width: 9/32" (7 mm), 3/8-20 thread
 Steel, zinc plated
Split spindle without screw or holes

Split spindle



8845-16 3/8-16 thread
8845-20 3/8-20 thread
 Length: 2 1/2", width: 9/32" (7 mm)
 Steel, zinc plated
Split spindles with screw and 3 holes
Available in two TPI specifications

Half-spindles and split spindles

For door locks and latches operated by knob on one side only



Half spindle

8773-20 9/32" (7 mm) wide
8772-20 5/16" (8 mm) wide
 Length: 2 3/8", thread: 3/8 - 20
 Steel, zinc plated
Half spindle - available in 2 widths



Nut for spindles

8662 Nut
 3/8 - 20 TPI
 5/8" dia., 3/16" high
 Steel, zinc plated
For optional use with split doorknob spindles.
By tightening the nut against the lock's hub it helps set the spindle in the lock



Sold in pairs

8776 Spindle converters
 7 mm inside, 8 mm outside width
 5/16" long
 Steel, zinc plated
 2 shorter sleeves
Use with knob-knob mortise lock

Converters enable a 9/32" spindle to operate snugly in a 5/16" hub



Sold each

8703 Spindle converter
 7 mm inside, 8 mm outside width
 5/8" long
 Steel, zinc plated
 1 longer sleeve
Use with knob-handle mortise lock



8833-PB polished brass
8833-PL lacquered polished brass
8833-PN polished nickel
8833-BN brushed nickel
8833-OB oil rubbed bronze
 Spindle length: 2 1/2", 3/8"-20 thread
 Spindle width: 9/32" (7mm)
 Plate 1 1/2" dia.
 Solid brass and steel parts

8833-PB polished brass
8833-PL lacquered polished brass
8833-PN polished nickel
8833-BN brushed nickel
8833-OB oil rubbed bronze
 Spindle length: 2 1/2", 3/8"-20 thread
 Spindle width: 9/32" (7mm)
 Plate 1 1/2" dia.
 Solid brass and steel parts

Other roses can be substituted for the plate if so desired

Round plate



8828-PB polished brass
8828-PL lacquered polished brass
8828-PN polished nickel
8828-BN brushed nickel
8828-OB oil rubbed bronze
 Spindle: 3/16" wide, 1 1/4" long
 Plate diameter: 1 1/2"
 Solid brass
Crescent thumb turn with round plate

Smaller oval plate



8829-PB polished brass
8829-PL lacquered polished brass
8829-PN polished nickel
8829-BN brushed nickel
8829-OB oil rubbed bronze
 Oval plate: 1 1/16" X 1 7/16"
 Spindle: 3/16" wide, 1 1/4" long
 Solid brass
Crescent thumb turn

Larger oval plate



8832-PB polished brass
8832-PL lacquered polished brass
8832-PN polished nickel
8832-BN brushed nickel
8832-OB oil rubbed bronze
 Oval plate: 1 3/16" X 1 3/4"
 Spindle: 3/16" wide, 1 1/4" long
 Solid brass
Crescent thumb turn

Thumb turns can be removed from plate if needed for other applications.



#8662 nut and #8703 converter sleeve shown on #8845-20-N split spindle for a single doorknob application



This plate can also be used for entry door sets with knob-handle function (pairing with handles 8857, 8858, 8859)

- 8760-PB** polished brass
 - 8760-PL** lacquered brass
 - 8760-PN** polished nickel
 - 8760-BN** brushed nickel
 - 8760-OB** oil rubbed bronze
- 3" wide , 10" high
 2 1/4" spacing (hub to thumb turn)
 Solid brass
With doorknob hub and thumb turn

3" X 10"
Wrought brass plain door trim
 2 plate functions

Large complementary plates for entrance door mortise lock sets



- 8761-PB** polished brass
 - 8761-PL** lacquered brass
 - 8761-PN** polished nickel
 - 8761-BN** brushed nickel
 - 8761-OB** oil rubbed bronze
- 3" wide , 10" high
 3 7/16" (3.438") C to C spacing
 Solid brass
For doorknob and keyway cylinder (Cylinder sold separately)

This plate is used for entry door sets with knob-handle function (pairing with handles 8857, 8858, 8859)



- 8855-PB** polished brass
 - 8855-PL** lacquered brass
 - 8855-PN** polished nickel
 - 8855-BN** brushed nickel
 - 8855-OB** oil rubbed bronze
- 2 3/4" wide , 8 3/4" high
 2 1/4" spacing (hub to thumb turn)
 Forged brass
 Thumb turn with 3/16" spindle
With doorknob hub and thumb turn

2 3/4" X 8 3/4"
Forged brass plain door trim
 With hub and thumb turn

Large plate for entrance door mortise lock sets

This plate can also be used for entry door sets with knob-handle function (pairing with handles 8857, 8858, 8859)



8868-PB polished brass
8868-PL lacquered brass
8868-PN polished nickel
8868-BN brushed nickel
8868-OB oil rubbed bronze
 2 1/2" wide, 8" high
 2 1/4" spacing (hub to thumb turn)
 Forged brass
 Thumb turn with 3/16" spindle
 With doorknob hub and thumb turn

This plate can be used with interior door mortise locks operated by skeleton keys



8865-PB polished brass
8865-PL lacquered brass
8865-PN polished nickel
8865-BN brushed nickel
8865-OB oil rubbed bronze
 2 1/2" wide, 8" high
 2 1/4" hub to keyhole spacing
 Forged brass
 With doorknob hub & keyhole

2 1/2" X 8"

Forged brass plain door trim
 4 plate functions

Large plates for mortise lock door sets

Large complementary plates for entrance door mortise lock sets



8869-PB polished brass
8869-PL lacquered brass
8869-PN polished nickel
8869-BN brushed nickel
8869-OB oil rubbed bronze
 2 1/2" wide, 8" high
 3 7/16" (3.438") C to C spacing
 Forged brass
 For doorknob and keyway cylinder
 (Cylinder sold separately)

8862-PB polished brass
8862-PL lacquered brass
8862-PN polished nickel
8862-BN brushed nickel
8862-OB oil rubbed bronze
 2 1/2" wide, 8" high
 Forged brass
 With doorknob hub



This plate can be used with interior door mortise locks or latches



8864-PB polished brass
8864-PL lacquered brass
8864-PN polished nickel
8864-BN brushed nickel
8864-OB oil rubbed bronze
 2 1/4" wide , 7" high
 Wrought brass
 With doorknob hub

8866-PB polished brass
8866-PL lacquered brass
8866-PN polished nickel
8866-BN brushed nickel
8866-OB oil rubbed bronze
 2 1/4" wide , 7" high
 2 1/4" spacing (hub to keyhole)
 Wrought brass
 With doorknob hub & keyhole

2 1/4" X 7"
 Wrought brass plain door trim plates
 4 plate functions



8764-B-PB polished brass
8764-B-PL lacquered brass
8764-B-PN polished nickel
8764-B-BN brushed nickel
8764-B-OB oil rubbed bronze
 2 1/2" wide , 6 7/8" high
 Wrought brass
 With doorknob hub

8764-K-PB polished brass
8764-K-PL lacquered brass
8764-K-PN polished nickel
8764-K-BN brushed nickel
8764-K-OB oil rubbed bronze
 2 1/2" wide , 6 7/8" high
 2 1/4" spacing (hub to keyhole)
 Wrought brass
 With doorknob hub and keyhole

2 1/2" X 6 7/8"
 Wrought brass trim plates with indented line pattern
 4 plate functions



8867-PB polished brass
8867-PL lacquered brass
8867-PN polished nickel
8867-BN brushed nickel
8867-OB oil rubbed bronze
 2 1/4" X 7"
 2 1/4" spacing (hub to thumb turn)
 Wrought brass
 Thumb turn with 3/16" spindle
 With doorknob hub and thumb turn

8863-PB polished brass
8863-PL lacquered brass
8863-PN polished nickel
8863-BN brushed nickel
8863-OB oil rubbed bronze
 2 1/4" wide , 7" high
 3 7/16" (3.438") C to C spacing
 Wrought brass
 For doorknob and keyway cylinder
 (Cylinder sold separately)



8734-PB polished brass
8734-PL lacquered brass
8734-PN polished nickel
8734-BN brushed nickel
8734-OB oil rubbed bronze
 2 1/2" wide , 6 7/8" high
 2 1/4" spacing (hub to thumb turn)
 Heavy gauge wrought brass
 Thumb turn with 3/16" spindle
 With doorknob hub and thumb-turn

8733-PB polished brass
8733-PL lacquered brass
8733-PN polished nickel
8733-BN brushed nickel
8733-OB oil rubbed bronze
 2 1/2" wide , 6 7/8" high
 3 7/16" (3.438") spacing
 Wrought brass
 For doorknob and keyway cylinder
 Cylinder sold separately

DOOR TRIM PLATES



8767-B-PB polished brass
8767-B-PL lacquered brass
8767-B-PN polished nickel
8767-B-BN brushed nickel
8767-B-OB oil rubbed bronze
 2 1/2" wide, 7" high
 Wrought brass
 With doorknob hub

8767-K-PB polished brass
8767-K-PL lacquered brass
8767-K-PN polished nickel
8767-K-BN brushed nickel
8767-K-OB oil rubbed bronze
 2 1/2" wide, 7" high
 2 1/4" spacing (hub to keyhole)
 Wrought brass
 With doorknob hub and keyhole

2 1/2" X 7"

Wrought brass trim plates with egg & dart pattern
 4 plate functions



8768-PB polished brass
8768-PL lacquered brass
8768-PN polished nickel
8768-BN brushed nickel
8768-OB oil rubbed bronze
 2 1/2" wide, 7" high
 2 1/4" spacing (hub to thumb turn)
 Wrought brass
 Thumb turn with 3/16" spindle
 With doorknob hub and thumb-turn

8769-PB polished brass
8769-PL lacquered brass
8769-PN polished nickel
8769-BN brushed nickel
8769-OB oil rubbed bronze
 2 1/2" wide, 7" high
 3 7/16" (3.438") spacing
 Wrought brass
 For doorknob and keyway cylinder
 Cylinder sold separately



2 3/8" X 8 1/2"



8762-B-PB polished brass
8762-B-PL lacquered brass
8762-B-PN polished nickel
8762-B-BN brushed nickel
8762-B-OB oil rubbed bronze
 2 3/8" wide
 8 1/2" high
 (2 3/4" at widest)
 Wrought brass
 With doorknob hub

8762-K-PB polished brass
8762-K-PL lacquered brass
8762-K-PN polished nickel
8762-K-BN brushed nickel
8762-K-OB oil rubbed bronze
 2 3/8" wide, 8 1/2" high
 (2 3/4" at widest)
 2 1/4" spacing (hub to keyhole)
 Wrought brass
 With doorknob hub and keyhole

Wrought brass trim plates with ornate patterns
 2 plate functions



2 3/8" X 7 5/8"



8763-B-PB polished brass
8763-B-PL lacquered brass
8763-B-PN polished nickel
8763-B-BN brushed nickel
8763-B-OB oil rubbed bronze
 2 3/8" wide
 7 5/8" high
 Wrought brass
 With doorknob hub

8763-K-PB polished brass
8763-K-PL lacquered brass
8763-K-PN polished nickel
8763-K-BN brushed nickel
8763-K-OB oil rubbed bronze
 2 3/8" wide, 7 5/8" high
 2 1/4" spacing (hub to keyhole)
 Wrought brass
 With doorknob hub and keyhole



8677
 Diameter: 2 1/8"
 Hub diameter: 3/4"
 Center to center: 1 1/2"
 Red oak
Red oak door roses

Wood doorknob rose



8870-PB polished brass
8870-PL lacquered polished brass
8870-PN polished nickel
8870-BN brushed nickel
8870-OB oil rubbed bronze
 Diameter: 2"
 Hub diameter: 3/4"
 Stamped brass
Traditional design with 3 holes for screws

2" diameter

Wrought (stamped) brass doorknob roses



8871-PB polished brass
8871-PL lacquered polished brass
8871-PN polished nickel
8871-BN brushed nickel
8871-OB oil rubbed bronze
 Diameter: 2 1/4"
 Hub diameter: 5/8"
 Stamped brass
Traditional design with 3 holes for screws

2 1/4" diameter



8876-PB polished brass
8876-PN polished nickel
8876-BN brushed nickel
8876-OB oil rubbed bronze
8876-PL lacquered brass
 Diameter: 2 1/2"
 Hub diameter: 11/16"
 Center to center: 1 1/2"
 Forged brass
Hexagonal doorknob rose

Forged brass doorknob rose



8740-PB polished brass
8740-PL lacquered brass
8740-PN polished nickel
8740-BN brushed nickel
8740-OB oil rubbed bronze
 Diameter: 2"
 Hub diameter: 3/4"
 Forged brass
Plain



Includes an adapter ring to reduce hub diameter if needed



8741-PB polished brass
8741-PL lacquered brass
8741-PN polished nickel
8741-BN brushed nickel
8741-OB oil rubbed bronze
 Diameter: 2 1/4"
 Hub diameter: 3/4"
 Center to center: 1 3/4"
 Forged brass
Indented lines pattern

Forged brass doorknob roses



8742-PB polished brass
8742-PL lacquered brass
8742-PN polished nickel
8742-BN brushed nickel
8742-OB oil rubbed bronze
 Diameter: 2 1/4"
 Hub diameter: 11/16"
 Forged brass
Embossed lines pattern



8743-PB polished brass
8743-PL lacquered brass
8743-PN polished nickel
8743-BN brushed nickel
8743-OB oil rubbed bronze
 Diameter: 2 3/16"
 Hub diameter: 3/4"
 Center to center: 1 11/16"
 Forged brass
Floral pattern



Includes an adapter ring to reduce hub diameter if necessary



8873-A-PB polished brass
8873-A-PL lacquered polished brass
8873-A-PN polished nickel
8873-A-BN brushed nickel
8873-A-OB oil rubbed bronze
 Diameter: 2 3/4"
 Hub dia.: 5/8"
 Center to center: 1 5/8"
 Forged brass
 Includes wood screws
Privacy function

Privacy function



With threaded shanks

8873-C-PB polished brass
8873-C-PL lacquered polished brass
8873-C-PN polished nickel
8873-C-BN brushed nickel
8873-C-OB oil rubbed bronze
 Diameter: 2 3/4"
 Hub dia.: 5/8"
 Center to center: 1 5/8"
 Forged brass
 Includes machine screws
Privacy function

Solid brass forged doorknob roses
 2 3/4" diameter
 5/8" hub dia.

Complementary roses for privacy or passage function
 Can be used on standard pre-drilled doors



8874-B-PB polished brass
8874-B-PL lacquered polished brass
8874-B-PN polished nickel
8874-B-BN brushed nickel
8874-B-OB oil rubbed bronze
 Diameter: 3 1/4"
 Hub dia.: 5/8"
 Center to center: 2 9/16"
 Forged brass
Extra large rose
Passage function

Plain



8874-A-PB polished brass
8874-A-PL lacquered polished brass
8874-A-PN polished nickel
8874-A-BN brushed nickel
8874-A-OB oil rubbed bronze
 Diameter: 3 1/4"
 Hub dia.: 5/8"
 Center to center: 2 9/16"
 Forged brass
Extra large rose
Privacy function

Solid brass forged doorknob roses
 3 1/4" diameter
 5/8" hub dia.

For privacy or passage functions
 Can be used on standard pre-drilled doors



8873-B-PB polished brass
8873-B-PL lacquered polished brass
8873-B-PN polished nickel
8873-B-BN brushed nickel
8873-B-OB oil rubbed bronze
 Diameter: 2 3/4"
 Hub dia.: 5/8"
 Center to center: 1 5/8"
 Forged brass
 Includes wood screws
Passage function

Passage function



8875-B-PB polished brass
8875-B-PL lacquered polished brass
8875-B-PN polished nickel
8875-B-BN brushed nickel
8875-B-OB oil rubbed bronze
 Diameter: 3 1/4"
 Hub dia.: 5/8"
 Center to center: 2 7/8"
 Forged brass
Passage function

Beaded



With threaded shanks

8873-D-PB polished brass
8873-D-PL lacquered polished brass
8873-D-PN polished nickel
8873-D-BN brushed nickel
8873-D-OB oil rubbed bronze
 Diameter: 2 3/4"
 Hub dia.: 5/8"
 Center to center: 1 5/8"
 Forged brass
 Includes machine screws
Passage function



8875-A-PB polished brass
8875-A-PL lacquered polished brass
8875-A-PN polished nickel
8875-A-BN brushed nickel
8875-A-OB oil rubbed bronze
 Diameter: 3 1/4"
 Hub dia.: 5/8"
 Center to center: 2 7/8"
 Forged brass
Privacy function

INTERIOR MORTISE LOCKS

Operated by doorknobs
and keys



One-piece trim Sectional trim



- 8921-PB** polished brass
- 8921-OB** oil rubbed bronze
- 8921-PN** polished nickel

Spacing: 2 3/16"
Unit includes a strike plate
and 2 keys

Operated by doorknobs
and thumb-turn



Sectional trim One-piece trim



- 8919-PB** polished brass
- 8919-OB** oil rubbed bronze
- 8919-PN** polished nickel

Spacing: 2 1/4"
Unit includes a strike plate and
a thumb-turn

Mortise locks for interior doors.

Model 8921 - deadbolt is operated by a key
Model 8919 - deadbolt is operated by a thumb-turn
Dimensions:
2 1/2" backset
Case: 3 1/8" X 3 5/8" X 9/16"
Face plate: 15/16" X 5 1/4" X 1/8" thick
Star-shaped doorknob hub accepts two spindle widths:
9/32" (7 mm) and 5/16" (8mm)
Cast iron case with steel inner parts
Black japanned case
Solid brass face plate, latch and bolt in 3 finishes
Reversible for right- and left-hand doors



- 8831-PB** polished brass
 - 8831-OB** oil rubbed bronze
 - 8831-PN** polished nickel
- Oval plate 1 3/4" X 1 3/16"
Diameter of plug hole 3/8"
Crescent thumb turn with 3/16" square spindle
Solid brass
Outside release kit for locks and deadbolts

Authentic old style tumbler locks with japanned cases for interior doors available in 3 face-plate finishes.

Add any doorknobs, trim plates, roses and keyholes (sold separately) to form complete door sets.

Shown with outside trim



C8923-PB polished brass
C8923-OB oil rubbed bronze
C8923-PL lacquered brass
C8923-PN polished nickel
C8923-BN brushed nickel
 Thumb turn spindle: 3/16"
 Rosettes' diameter: 1 5/8"
 Door thickness range: 1 3/8" - 1 3/4"
 Solid brass
Operating mechanism by itself - sold each

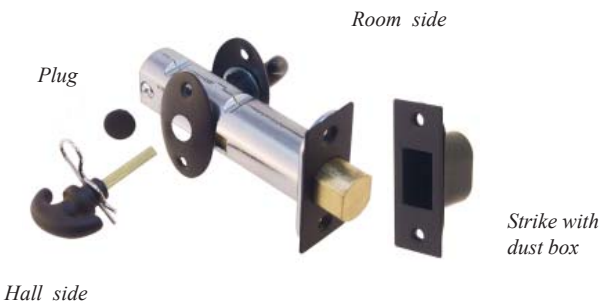
Shown with inside trim



Thumb-turn and emergency release slot unit for operating deadbolt (shown on right) or mortise lock (shown on previous page). Mortise lock sold separately.

Heavy duty tubular deadbolt operated in three modes

Operated with thumb-turn from inside and emergency release slot from outside



8922-PB polished brass
8922-OB oil rubbed bronze
8922-PN polished nickel
 Latch backset: 2 3/8"
 Latch tube diameter: 1"
 Square hub for thumb turn: 3/16"
 Face plate: 1" X 2 1/4"
 Strike plate: 1 1/8" X 2 3/4"
 Deadbolt made of brass and other materials
 Solid brass plates and thumb turns

Set includes a thumb-turn on the inside and a plate with a removable plug on the outside. It also includes face plate, strike plate, dust box and an additional thumb-turn for emergency release. For right- and left-hand doors.

Operated with thumb-turn from inside and emergency release slot from outside



8923-PB polished brass
8923-OB oil rubbed bronze
8923-PL lacquered brass
8923-PN polished nickel
8923-BN brushed nickel
 Latch backset: 2 3/8"
 Latch tube diameter: 1"
 Square hub for thumb turn: 3/16"
 Face plate: 1" X 2 1/4"
 Strike plate: 1 1/8" X 2 3/4"
 Rosettes' diameter: 1 5/8"
 Door thickness range: 1 3/8" - 1 3/4"
 Deadbolt made of brass and other materials
 Solid brass plates, thumb turn and slot trim parts

Set includes face plate, strike plate, dust box, crescent thumb-turn and emergency release slot. For right- and left-hand doors.

Operated with thumb turn from inside



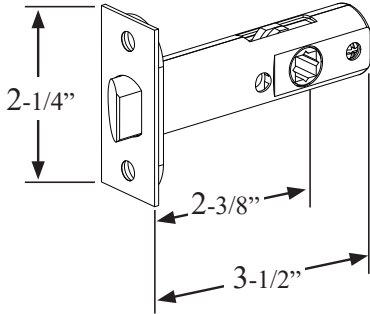
8924-PB polished brass
8924-OB oil rubbed bronze
8924-PL lacquered brass
8924-PN polished nickel
8924-BN brushed nickel
 Latch backset: 2 3/8"
 Latch tube diameter: 1"
 Square hub for thumb turn: 3/16"
 Face plate: 1" X 2 1/4"
 Strike plate: 1 1/8" X 2 3/4"
 Deadbolt made of brass and other materials
 Solid brass plates and thumb turn

Set includes face plate, strike plate, dust box and crescent turn. For right- and left-hand doors.



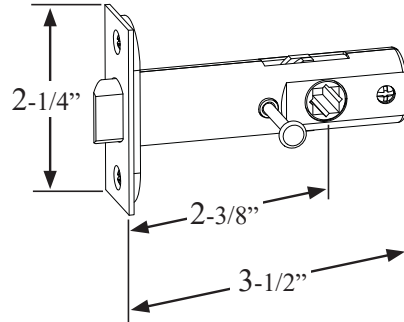
HIGH QUALITY DOOR LATCHES

For new doors and for replacing latches in old doors



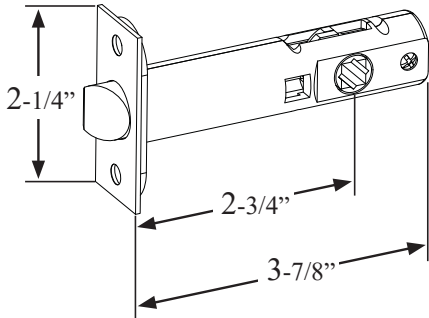
8891
Passage
2 3/8" backset

Passage



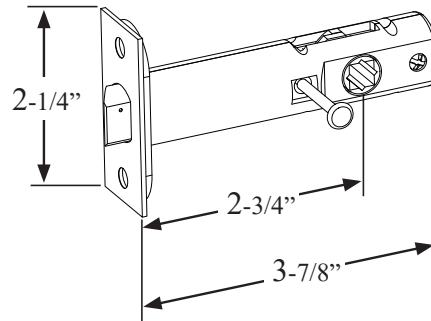
8892A
Privacy
2 3/8" backset

Privacy



8903
Passage
2 3/4" backset

2 3/4" backset



8904A
Privacy
2 3/4" backset

For detailed description and specs see on page 29

Guide for choosing complete latch sets on pages 30-31

TUBULAR DOOR LATCHES



Passage latch

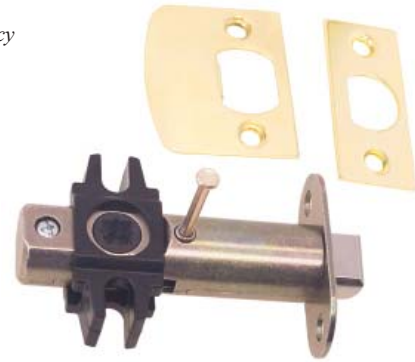


- 8891-PB** polished brass
- 8891-PN** polished nickel
- 8891-BN** brushed nickel
- 8891-OB** oil rubbed bronze
- 8891-AB** antique brass
- 8891-AP** antique pewter
- 8891-PL** lacquered brass
- 8891-PC** polished chrome
- 2 3/8" backset
- Face plate 2 1/4" X 1"
- Strike plate 2 1/4" X 1 3/4"

2 3/8" backset (standard)

Latches are equipped with removable
2-1/8" dia. alignment blocks
for use in pre-drilled holes

Privacy latch



- 8892-A-PB** polished brass
- 8892-A-PN** polished nickel
- 8892-A-OB** oil rubbed bronze
- 8892-A-BN** brushed nickel
- 8892-A-AB** antique brass
- 8892-A-AP** antique pewter
- 8892-A-PL** lacquered brass
- 8892-A-PC** polished chrome
- 2 3/8" backset
- Face plate 2 1/4" X 1"
- Strike plate 2 1/4" X 1 3/4"
- With solid brass privacy pin*

Tubular door latches for both left & right hand doors

Die cast with solid brass plates and pins
Star-shaped hub accepts 7mm and 8mm spindles
Fit in a 1" diameter hole

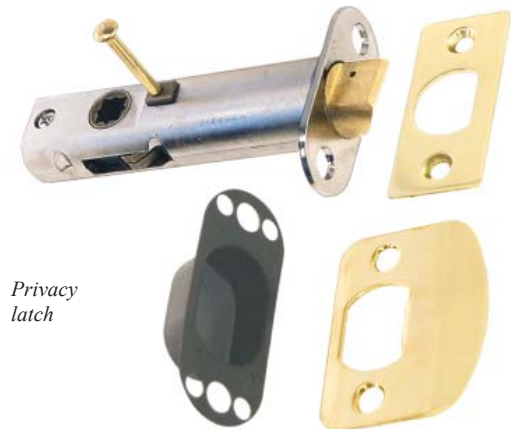


Passage latch

- 8903-PB** polished brass
- 8903-PL** lacquered brass
- 8903-PN** polished nickel
- 8903-BN** brushed nickel
- 8903-OB** oil rubbed bronze
- 2 3/4" backset
- Face plate: 2 1/4" X 1"
- Strike plate: 2 1/4" X 1 3/4"

2 3/4" backset

Includes dust box



Privacy latch

- 8904A-PB** polished brass
- 8904A-PL** lacquered brass
- 8904A-PN** polished nickel
- 8904A-BN** brushed nickel
- 8904A-OB** oil rubbed bronze
- 2 3/4" backset
- Face plate: 2 1/4" X 1"
- Strike plate: 2 1/4" X 1 3/4"
- With solid brass privacy pin*

Guide for choosing complete lock sets in next two pages



HOW TO ORDER DOOR LATCH SETS

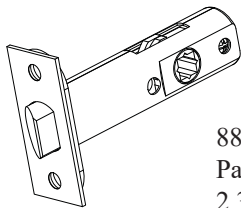
1. Select the function of the set:

A - privacy

B - passage

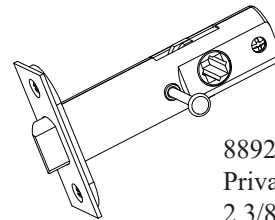
D - dummy

2. Select latch (for privacy or passage function only):

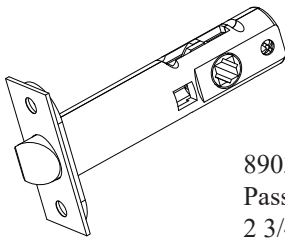


8891
Passage
2 3/8" backset

2 3/8" backset
Standard

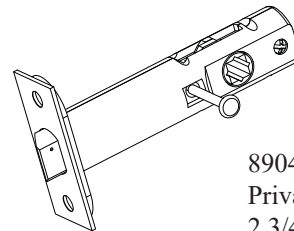


8892
Privacy
2 3/8" backset



8903
Passage
2 3/4" backset

2 3/4" backset



8904
Privacy
2 3/4" backset

3. Select door knobs:



8746
Hollow core brass



8745
Hollow core brass



8752
Solid core brass



8753
Solid core brass



8754
Solid core brass



8755
Solid core brass



8676
Oak



8678
Oak



8851
Glass



8852
Glass



8853
Glass



4. Select the trim:

For privacy function - #8873, #8874, #8875
(large forged roses with holes for privacy pins)

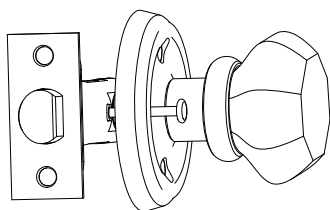


For passage function and for dummy sets-
all roses can be used

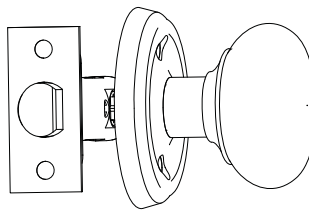


5. Select the finish: Polished Brass (PB), Lacquered Polished Brass (PL),
Oil-rubbed Bronze (OB), Polished Nickel (PN), Brushed Nickel (BN)

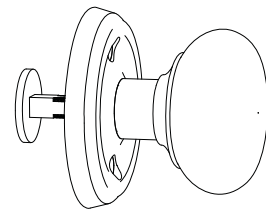
Final stock number format for door sets: [Function]-[Latch]-[Knobs]-[Roses]-[Finish]
No latch for dummy sets



Privacy



Passage



Dummy



8885-PB polished brass
8885-PL lacquered pol. brass
8885-PN polished nickel
8885-BN brushed nickel
8885-OB oil rubbed bronze
 1 1/8" X 2 3/4"
 Overall width at lip: 1 9/16"
 Center to lip: 1"
 Solid brass
"T" strike plate
 For doors up to 1 1/2" thick
 For left-hand and right-hand doors



8887-PB polished brass
8887-PL lacquered brass
8887-OB oil rubbed bronze
8887-PN polished nickel
8887-BN brushed nickel
 15/16" X 3 13/16"
 Overall wide at lip: 1 7/16"
 Center to lip: 15/16"
 Solid brass
Door strike plate
 For doors up to 1 7/8" thick
 For left-hand and right-hand doors

Strike plates for doors



8881-PB polished brass
8881-PL lacquered pol. brass
8881-PN polished nickel
8881-BN brushed nickel
8881-OB oil rubbed bronze
 15/16" X 4 3/8"
 Overall width at lip: 1 1/2"
 Center to lip: 1 1/16"
 Solid brass
Door strike plate
 For doors up to 1 3/4" thick
 For left-hand and right-hand doors

Website: www.timelyhardware.com

Large, heavy duty strike plate
 Designed to fit all exterior mortise locks



8880-PB polished brass
8880-PL lacquered pol. brass
8880-PN polished nickel
8880-BN brushed nickel
8880-OB oil rubbed bronze
 1 3/16" X 6"
 Overall width at lip: 1 7/8"
 Center to lip: 1 1/4"
 Solid brass
Exterior door strike plate
 For doors up to 2" thick
 For left-hand and right-hand doors



8879-PB polished brass
8879-PL lacquered pol. brass
8879-PN polished nickel
8879-BN brushed nickel
8879-OB oil rubbed bronze
 1 1/4" X 4 7/8"
 Overall width at lip: 2 1/4"
 Center to lip: 1 5/8"
 Solid brass

Mid-size extended lip strike plate
 for doors up to 2 1/2" thick

Extended lip strike plates
 For both left-hand and right-hand doors



8878-PB polished brass
8878-PL lacquered pol. brass
8878-OB oil rubbed bronze
8878-BN brushed nickel
8878-PN polished nickel
 Frame: 1 1/4" X 4 7/8"
 Overall width at lip: 2 7/8"
 Center to lip: 2 1/4"
 Solid brass

Large extended lip strike plate
 for doors up to 3 1/2" thick

Stamped



8836-PB polished brass
8836-PL lacquered polished brass
8836-PN polished nickel
8836-BN brushed nickel
8836-OB oil rubbed bronze
 1 1/8" X 1 5/8"
 Stamped brass
Door keyhole plate - oval

Stamped



8835-PB polished brass
8835-PL lacquered polished brass
8835-PN polished nickel
8835-BN brushed nickel
8835-OB oil rubbed bronze
 1 1/4" X 1 3/4"
 Stamped brass
Door keyhole plate - rectangular

Keyhole covers

Forged

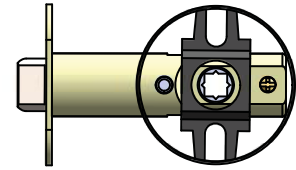
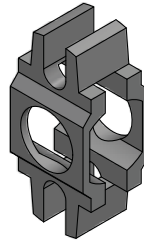


8726-PB polished brass
8726-PL lacquered polished brass
8726-PN polished nickel
8726-BN brushed nickel
8726-OB oil rubbed bronze
 1 1/16" X 1 3/4"
 Forged brass
Door keyhole plate

*Skeleton keys for door locks in two finishes
 Will operate most bit-key locks on the market*



8730-PB polished brass
8730-PN polished nickel
 3 1/8" total length
 Bit is 3/8" X 3/8"
 High tensile forged brass
*Skeleton key
 Sold each*



Shown on door latch

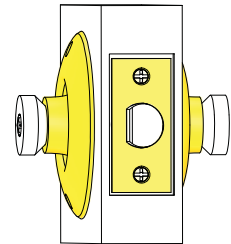
8884 alignment block for tubular door latches

2 1/8" dia.
 Plastic, black

This piece - part of our standard door latch sets - is used to stabilize the latch in the door. With a diameter of 2-1/8" it fits snugly in the standard pre-drilled holes on the faces of doors. And in its turn, the latch sits snugly inside it.

ACCESSORIES FOR DOOR LATCH SETS

Drawing shows how to use the tool



8779
 Steel, zinc plated
Alignment tool for door trim

Consisting of 2 cones on a spindle, this simple but effective tool is used for aligning and marking holes of door plates and roses for accurate installation

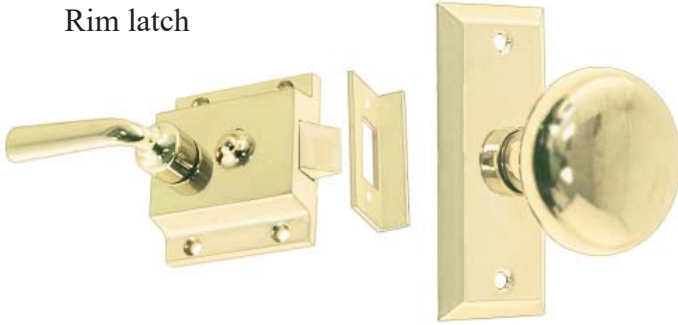
Threaded for 8-32 TPI



6685-SS
 Total length: 2 3/8"
 Length of threaded area: 1 3/4"
 8-32 TPI
 Stainless steel, with slotted drive
*Replacement screws for vintage mortise locks
 Sold in pairs*

Replacement screws for entrance door mortise locks can be cut to length as needed. We offer the untapped screws as different vintage lock manufacturers used different TPIs. Order them and tap your own.

Rim latch



- 8501-PB** polished brass
- 8501-PL** lacquered brass
- 8501-AB** antique brass
- 8501-BN** brushed nickel
- 8501-PN** polished nickel
- 8501-OB** oil rubbed bronze

Case: 2" X 2 1/4" X 5/8"
 Lever: 1 3/4" long, 2" projection
 Knob: 1 3/4" dia., 2" projection
 Door plate: 1 3/8" X 3"
 Angle strike: 1 3/4" long, 7/16" wide, 13/16" high
 Solid brass with *steel spindle*

With lever inside and knob outside

Stop button can lock latch in either position
 For door thickness from 7/8" to 1 3/4"
 For right- and left-handed doors
 Comes with reverse bevel and an angle strike - bevel is reversible
 Includes hex key for set-screws

Mortise latch



- 8503-PB** polished brass
- 8503-PL** lacquered brass
- 8503-PN** polished nickel
- 8503-OB** oil rubbed bronze

1-3/4" backset
 Latch tube 2-5/8" long, 5/8" dia.
 Lever: 2" long, 2" projection
 Knob: 1 3/4" dia., 2" projection
 Rosettes: 1 7/8" dia.
 Strike: 1-3/4" wide
 Brass and some steel parts

With lever inside and knob outside

Latch can be locked from inside
 For door thickness from 7/8" to 1 5/8"
 For right- and left-handed doors

Screen door latches



Latch shown with box strike



*Optional:
box strike
for screen
latch*

- 8502-PB** polished brass
 - 8502-PL** lacquered brass
 - 8502-AB** antique brass
 - 8502-BN** brushed nickel
 - 8502-PN** polished nickel
 - 8502-OB** oil rubbed bronze
- 2 1/4" long, 5/8" wide, 5/8" high
 Solid brass
*Box strike for the screen door latch shown above .
 sold by itself.
 Requires changing the latch from reverse bevel
 to STANDARD bevel .*

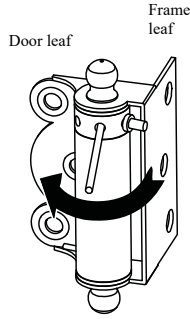
Mortise Bolt

For doors, windows, sashes etc.
 Right or left



Without lacquer

- 8505-PB** polished brass
- 1-3/4" backset
 Latch tube 2-1/2" long, 9/16" dia.
 Oval knob: 1" long, 7/8" projection
 Oval plate: 1" X 1 3/4"
 Strike: 1 3/4" X 7/8"
 Finish: polished brass (not lacquered)
 Steel and zinc alloy components



Install hinge on frame and door
 Insert a small screwdriver or a rigid long pin in a hole and turn round piece to tighten spring
 Insert stop-pin in a hole to fix the desired tension

Half-surface



8507-PB polished brass
8507-AB antique brass
8507-PL laquered brass
8507-PN polished nickel
8507-BN brushed nickel
8507-OB oil rubbed bronze
 2 3/4" high (ball tips add 1/2" each end)
 Brass with steel spring
*Half-surface hinge with a concealed spring
 For screens and other self-closing doors*

Large

*Time saver. Mortise leaf fastened to frame, other leaf to door's surface.
 Coil spring with adjustable tension, can be regulated after installation.*

Screen door hinges

Full-surface



8506-PB polished brass
8506-AB antique brass
8506-PL laquered brass
8506-PN polished nickel
8506-BN brushed nickel
8506-OB oil rubbed bronze
 2 1/4" wide
 2 3/4" high (without ball tips)
 Brass
*Full-surface hinge with a concealed spring
 For screens and other self-closing doors*

Large

Powerful springs - avoid pinching

Screen door pull



1132-PB polished brass
1132-AB antique brass
1132-PL lacquered polished brass
1132-PN polished nickel
1132-BN brushed nickel
1132-OB oil rubbed bronze
 4 3/4" long
 4 1/8" center to center
 Solid brass
Screen door pull

Full-surface



Small

8509-PB polished brass
8509-AB antique brass
8509-PN polished nickel
8509-BN brushed nickel
8509-OB oil rubbed bronze
 1 3/4" wide
 1 3/4" leaf height
 Steel
*Screen door hinge with spring
 Sold in pairs*

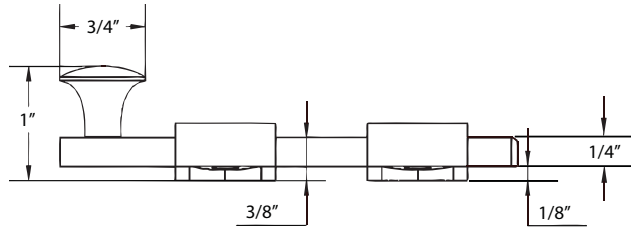
Sold in pairs

Powerful springs - avoid pinching



4" long

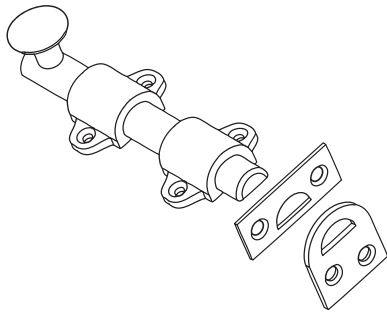
- 8720-PB** polished brass
 - 8720-AB** antique brass
 - 8720-OB** oil rubbed bronze
 - 8720-PN** polished nickel
 - 8720-BN** brushed nickel
- 4" long
 Half rod: 1/2" dia.
 Guide brackets: 1 3/8" wide
 3/4" knob dia.
 Solid brass
Surface bolt with 2 strikes



Heavy duty surface bolts for windows,
 French windows and doors

In 3 lengths and 5 finishes

1/2" dia. half rod - 1 3/8" wide brackets (stays) - 3/4" dia. knob



6" long

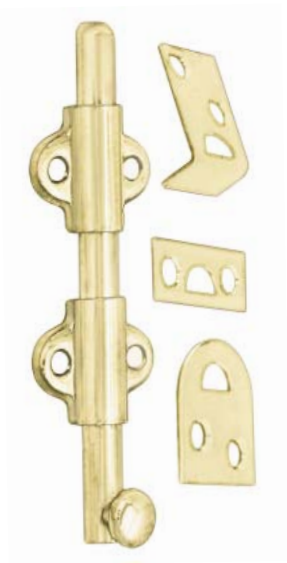
- 8721-PB** polished brass
 - 8721-AB** antique brass
 - 8721-PN** polished nickel
 - 8721-BN** brushed nickel
 - 8721-OB** oil rubbed bronze
- 6" long
 Half rod: 1/2" dia.
 Guide brackets: 1 3/8" wide
 3/4" knob dia.
 Solid brass
Surface bolt with 2 strikes



9" long

- 8722-PB** polished brass
 - 8722-AB** antique brass
 - 8722-PN** polished nickel
 - 8722-BN** brushed nickel
 - 8722-OB** oil rubbed bronze
- 9" long
 Half rod: 1/2" dia.
 Guide brackets: 1 3/8" wide
 3/4" knob dia.
 Solid brass
Surface bolt with 2 strikes

SURFACE BOLTS



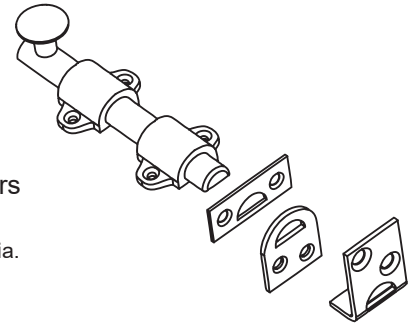
4" long

- 8823-PB** polished brass
 - 8823-AB** antique brass
 - 8823-PN** polished nickel
 - 8823-BN** brushed nickel
 - 8823-OB** oil rubbed bronze
- 4" long
 Half rod: 3/8" dia.
 Guide brackets: 1 1/4" wide
 Solid brass
Surface bolt with 3 strikes



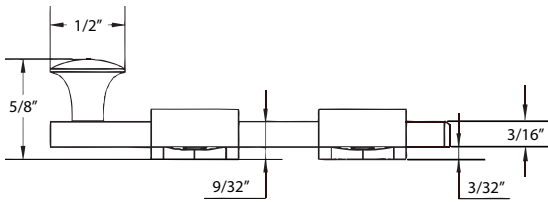
2" long

- 8822-PB** polished brass
 - 8822-AB** antique brass
 - 8822-PN** polished nickel
 - 8822-BN** brushed nickel
 - 8822-OB** oil rubbed bronze
- 2" long
 Half rod: 3/8" dia.
 Guide brackets: 1 1/4" wide
 Solid brass
Surface bolt with 2 strikes



Surface bolts for windows, French windows and doors
 In 4 lengths and 5 finishes

half rod: 3/8" dia. - Brackets (stays): 1 1/4" wide - knob: 1/2" dia.



6" long

- 8824-PB** polished brass
 - 8824-AB** antique brass
 - 8824-PN** polished nickel
 - 8824-BN** brushed nickel
 - 8824-OB** oil rubbed bronze
- 6" long
 Half rod: 3/8" dia.
 Guide brackets: 1 1/4" wide
 Solid brass
Surface bolt with 3 strikes



8" long

- 8825-PB** polished brass
 - 8825-AB** antique brass
 - 8825-PN** polished nickel
 - 8825-BN** brushed nickel
 - 8825-OB** oil rubbed bronze
- 8" long
 Half rod: 3/8" dia.
 Guide brackets: 1 1/4" wide
 Solid brass
Surface bolt with 3 strikes

3" X 3"

Door and window hinge



8780-PL lacquered pol. brass
8780-PN polished nickel
8780-BN brushed nickel
8780-OB oil rubbed bronze
 3" X 3"
 98 gauge
 Ball tips: 1/2" dia.
 Steel
 #9 X 1" screws
Sold in pairs
Architectural grade
For doors or large windows



Square steel door hinges with ball tips
 Removable stainless steel pins
 (Upper ball tip & pin are one piece of steel)
 5 knuckles, swaged
 Architectural grade
 Sold in pairs

Door hinges

3 1/2" X 3 1/2"



8781-PL lacquered pol. brass
8781-PN polished nickel
8781-BN brushed nickel
8781-OB oil rubbed bronze
 3 1/2" X 3 1/2"
 135 gauge
 Ball tips: 9/16" dia.
 Steel
 #10 X 1" screws
Sold in pairs
Architectural grade

4" X 4"



8782-PL lacquered pol. brass
8782-PN polished nickel
8782-BN brushed nickel
8782-OB oil rubbed bronze
 4" X 4"
 135 gauge
 Ball tips: 9/16" dia.
 Steel
 #12 X 1-1/4" screws
Sold in pairs
Architectural grade

Sash and transom center pivots



With slot With boss
With boss With hole



8702-OB oil rubbed bronze
Plates: 1" X 2 1/4" X 1/8"
Pin: 1/2" dia. , 1/2" projection
Steel
Sash hinges/transom centers
Unit includes 4 plates with screws

Screws in the brackets enable changing length of chain



8804-PB polished brass
8804-BN brushed nickel
8804-OB oil rubbed bronze
8804-PN polished nickel
12" long chain
Bases: 1" X 1 1/2"
Steel bases, steel chain

8803-PL lacquered pol. brass
8803-BN brushed nickel
8803-OB oil rubbed bronze
8803-PN polished nickel
Chain length up to 15"
Bases: 1" X 1 1/2"
Solid brass bases, steel chain
Chain length is adjustable

When in use



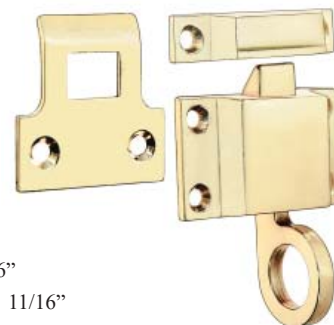
8805-PB polished brass
3 3/4" long
7/8" dia. pole hole
Solid brass
With 2 screws
Pull down hook for transom latches
(pole not included)



8807-PB polished brass
1 3/16" X 2 3/8"
Solid brass
Handy transom pole hanger



When not in use



8705-PB polished brass
8705-PL lacquered brass
8705-PN polished nickel
8705-BN brushed nickel
8705-OB oil rubbed bronze
Base of latch: 1 7/8" X 1 1/8"
Base of box strike: 1 7/8" X 7/16"
Base of universal strike: 1 1/2" X 11/16"
Forged brass
Small transom latch with regular bevel
Comes with 2 strikes

Small



Can be used with latch #8806, shown below, instead of the flat strike that comes with it

8706-PB polished brass
8706-PL lacquered brass
8706-PN polished nickel
8706-BN brushed nickel
8706-OB oil rubbed bronze
Base of strike: 2 1/8" X 9/16"
Solid brass
Box strike for large transom latch
Sold by itself

Transom window hardware



Latch #8806 shown with strike #8706

Large



8806-PB polished brass
8806-PL lacquered polished brass
8806-PN polished nickel
8806-BN brushed nickel
8806-OB oil rubbed bronze
Latch base: 2 1/8" X 1 1/2"
Solid brass
Large transom latch with regular bevel
Comes with a universal (flat) strike

Can be used with #8706 box strike (shown above), sold separately

Regular size



8810-PB polished brass
8810-PL lacquered polished brass
8810-AB antique brass
8810-PN polished nickel
8810-BN brushed nickel
8810-OB oil rubbed bronze
 Latch base: 2 1/2" X 7/8"
 Catch base: 2 1/2" X 9/16"
 Solid brass
 Sash window lock
 Regular size for standard windows
 With rounded bases

Larger size

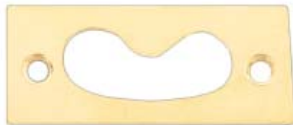


8710-PB polished brass
8710-PL lacquered polished brass
8710-AB antique brass
8710-PN polished nickel
8710-BN brushed nickel
8710-OB oil rubbed bronze
 Latch base: 2 7/8" X 1"
 Strike base: 2 7/8" X 5/8"
 Solid brass
 Sash window lock
 Larger size for larger windows
 With rounded bases

#8810 sash lock shown
 with #8813 strike



Hardware for sash
 (double hung) windows



8813-PB polished brass
8813-PL lacquered polished brass
8813-AB antique brass
8813-PN polished nickel
8813-BN brushed nickel
8813-OB oil rubbed bronze
 2 1/2" X 1"
 Solid brass
 Sash lock strike

An alternative way to secure a double-hung window, this simple flat strike can be used with sash locks 8810 and 8708. Ordered by itself

Regular size



8708-PB polished brass
8708-PL lacquered polished brass
8708-AB antique brass
8708-PN polished nickel
8708-BN brushed nickel
8708-OB oil rubbed bronze
 Latch base: 2 1/2" X 1"
 Strike base: 2 1/2" X 7/16"
 Solid brass
 Sash window lock
 Regular size for standard windows
 With square bases

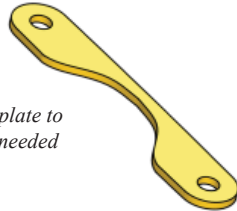
Narrow strike



- 8809-PB** polished brass
- 8809-PL** lacquered polished brass
- 8809-OB** oil rubbed bronze
- 8809-PN** polished nickel
- 8809-BN** brushed nickel

7/16" wide , 2 1/2" long
Solid brass

A narrow replacement strike for #8810 sash locks used where the window seal will not accept a regular strike



Comes with a 1/16" thick base plate to adjust the height of the strike as needed



- 8709-PB** polished brass
- 8709-PL** lacquered brass
- 8709-AB** antique brass
- 8709-PN** polished nickel
- 8709-BN** brushed nickel
- 8709-OB** oil rubbed bronze

Latch base: 1 7/8" X 1 1/8"

Strike base: 1 7/8" X 3/4"

Solid bronze

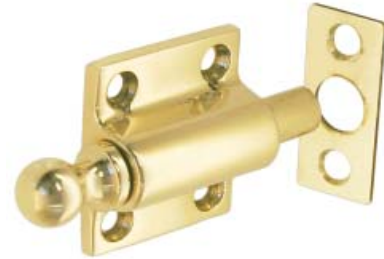
Spring loaded sash lock and lift, made of bronze for added strength, in 6 finishes



Spring loaded bolt can be kept retracted



comes with 3 strikes so sash window can be secured at 3 opening levels



Sash ventilating bolt

- 8716-PB** polished brass
- 8716-AB** antique brass
- 8716-PL** lacquered brass
- 8716-PN** polished nickel
- 8716-BN** brushed nickel
- 8716-OB** oil rubbed bronze

Case: 1 3/16" X 1 1/4"

Bolt: 2 1/4" long , 5/16" dia.

Strike: 1 1/4" X 9/16"

Solid brass

Comes with 3 strikes

Hardware for sash (double hung) windows

Will lock sash window at any position and prevent window from rattling



- 8808-PB** polished brass
- 8808-AB** antique brass
- 8808-PL** lacquered brass
- 8808-PN** polished nickel
- 8808-BN** brushed nickel
- 8808-OB** oil rubbed bronze

Stop plate: 1 5/8" long

Lever: 2 1/4" long

Solid brass

Side sash lock



Window spring bolt

- 8718-PB** polished brass
- 8718-AB** antique brass
- 8718-OB** oil rubbed bronze
- 8718-BN** brushed nickel
- 8718-PN** polished nickel

Overall length: 3 1/4"

Housing length: 1-7/8"

Housing diameter: 3/8"

Knob projection 7/8"

Bolt extension: 1/2"

Bolt diameter: 5/16"

Solid brass



Small

- 1409-PB** polished brass
- 1409-BN** brushed nickel
- 1409-PN** polished nickel
- 1409-OB** oil rubbed bronze
- 1409-PL** lacquered brass
- 1409-AB** antique brass
- 3 1/2" center to center
- 4" overall length , 1 1/16" wide
- Solid brass

Bar sash lifts



Medium

- 1410-PB** polished brass
- 1410-BN** brushed nickel
- 1410-PN** polished nickel
- 1410-OB** oil rubbed bronze
- 1410-PL** lacquered brass
- 1410-AB** antique brass
- 4" center to center
- 4 3/4" overall length , 1 1/4" wide
- Solid brass

Large size enabling a better grip



Large

- 1412-PB** polished brass
- 1412-PL** lacquered brass
- 1412-AB** antique brass
- 1412-BN** brushed nickel
- 1412-PN** polished nickel
- 1412-OB** oil rubbed bronze
- 4 3/8" center to center
- 5" overall length , 1 3/16" wide
- Solid brass

Recessed
sash lift



- 8812-PB** polished brass
- 8812-PL** lacquered brass
- 8812-PN** polished nickel
- 8812-BN** brushed nickel
- 8812-OB** oil rubbed bronze
- 8812-AB** antique brass
- 3 1/8" X 1 5/8"
- Recessed area: 2 1/2" X 1"
- Wrought brass
- With beveled edges



- 1573-PB** polished brass
- 1573-PL** lacquered brass
- 1573-AB** antique brass
- 1573-BN** brushed nickel
- 1573-PN** polished nickel
- 1573-OB** oil rubbed bronze
- Frame: 1 3/4" X 7/8"
- Wrought brass
- With beveled edges

For sashes, windows,
tambour drops, etc.

Hook sash lift



- 8707-PL** lacquered brass
- 8707-AB** antique brass
- 8707-PN** polished nickel
- 8707-BN** brushed nickel
- 8707-OB** oil rubbed bronze
- Cup washers fit in an 11/16" bore
- Permit 1/8" sideways adjustment
- Stamped steel
- Stop bead adjuster
- Sold in pairs

For mounting wood molding
strips on the frame to retain
and align inner sash windows



For stamped brass parts see next page

1 3/4" Wheel



Small

- 8691-PB** polished brass
- 8691-PL** laquered brass
- 8691-OB** oil rubbed bronze
- 8691-BN** brushed nickel
- 8691-PN** polished nickel
- Wheel dia: 1 3/4"
- Face plate: 4" x 1" x 1/8"
- Housing: 2 1/2" x 1 1/2" x 3/4"
- Forged solid brass
- Small

SASH PULLEYS
High quality
Well made
Sturdy construction
Solid brass wheel
for cord or chain



Shown from back

2 1/4" Wheel



Large

- 8693-PB** polished brass
- 8693-PL** laquered brass
- 8693-OB** oil rubbed bronze
- 8693-BN** brushed nickel
- 8693-PN** polished nickel
- Wheel dia: 2 1/4"
- Face plate: 5" x 1 1/8" x 1/8"
- Housing: 3" x 2" x 7/8"
- Forged solid brass
- Large



- 8698-PB** polished brass
- 8698-AB** antique brass
- 8698-OB** oil rubbed bronze
- Cup washers fit in an 11/16" bore
- Permit 1/8" sideways adjustment
- Brass
- Stop bead adjusters
- Sold in pairs

Stamped brass in three finishes

Sash and transom center pivots



With slot



With boss



With boss

With hole



- 8702-OB** oil rubbed bronze
- Plates: 1" X 2 1/4" X 1/8"
- Pin: 1/2" dia. , 1/2" projection
- Steel
- Sash hinges/transom centers
- Unit includes 4 plates with screws

Mortise bolt for doors, windows, sashes etc.



- 8505-PB** polished brass
- 1-3/4" backset
- Latch tube 2-1/2" long, 9/16" dia.
- Oval knob: 1" long , 7/8" projection
- Oval plate: 1" X 1 3/4"
- Strike: 1 3/4" X 7/8"
- Finish: polished brass (not lacquered)
- Steel and zinc alloy components

R.H.



8713-PB polished brass
8713-PN polished nickel
8713-BN brushed nickel
8713-OB oil rubbed bronze
 Latch base: 3/4" X 2 1/2"
 Solid brass
 Right Hand
 With lever handle



L.H.

Casement window latches
 Come with Mortise strike and Rim strike

8714-PB polished brass
8714-PN polished nickel
8714-BN brushed nickel
8714-OB oil rubbed bronze
 Latch base: 3/4" X 2 1/2"
 Solid brass
 Left Hand
 With lever handle



8712-PB polished brass
8712-PL lacquered brass
8712-PN polished nickel
8712-BN brushed nickel
8712-OB oil rubbed bronze
 Latch base: 1 1/16" X 1 9/16"
 Solid brass
 Casement window latch with ring handle, reversible for right or left.
 Comes with 2 strikes: Mortise, Rim

Mortise

Rim

Surface



Smaller

8811-PB polished brass
8811-PL lacquered brass
8811-AB antique brass
8811-PN polished nickel
8811-BN brushed nickel
8811-OB oil rubbed bronze
 Latch base: 7/8" X 1 9/16"
 Solid brass
 Standard size

Casement window latch in 2 sizes
 Comes with 3 strikes: Surface, Mortise, Rim
 Reversible for right or left hand window



Larger

8711-PB polished brass
8711-PL lacquered brass
8711-AB antique brass
8711-PN polished nickel
8711-BN brushed nickel
8711-OB oil rubbed bronze
 Latch base: 1 1/8" X 2"
 Solid brass
 Larger version for larger windows



Window spring bolt

8718-PB polished brass
8718-AB antique brass
8718-OB oil rubbed bronze
8718-BN brushed nickel
8718-PN polished nickel
 Overall length: 3 1/4"
 Housing length: 1-7/8" ; Housing diameter: 3/8"
 Knob projection 7/8"
 Bolt extension: 1/2" ; bolt diameter: 5/16"
 Solid brass



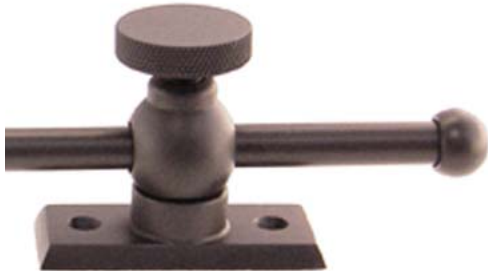
10" long arm

- 8790-PB** polished brass
- 8790-AB** antique brass
- 8790-PL** lacquered brass
- 8790-PN** polished nickel
- 8790-BN** brushed nickel
- 8790-OB** oil rubbed bronze

Rod: 10" long, 3/8" dia.

Plates: 2 3/8" X 1"

Solid brass



Casement window hardware

Authentic replicas of old style window adjusters with knurled knob and beveled base plates
 A short plastic sleeve encased in the assembly prevents marks on the rod
 Reversible for right or left-hand windows opening out



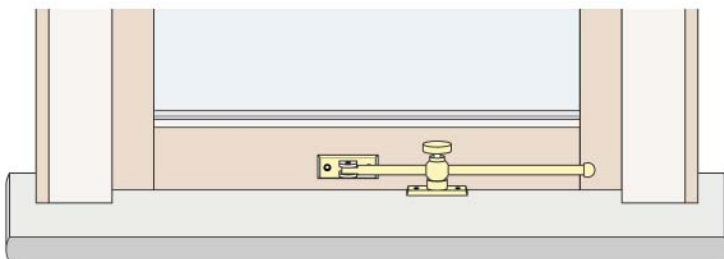
12" long arm

- 8791-PB** polished brass
- 8791-AB** antique brass
- 8791-PL** lacquered brass
- 8791-PN** polished nickel
- 8791-BN** brushed nickel
- 8791-OB** oil rubbed bronze

Rod: 12" long, 3/8" dia.

Plates: 2 3/8" X 1"

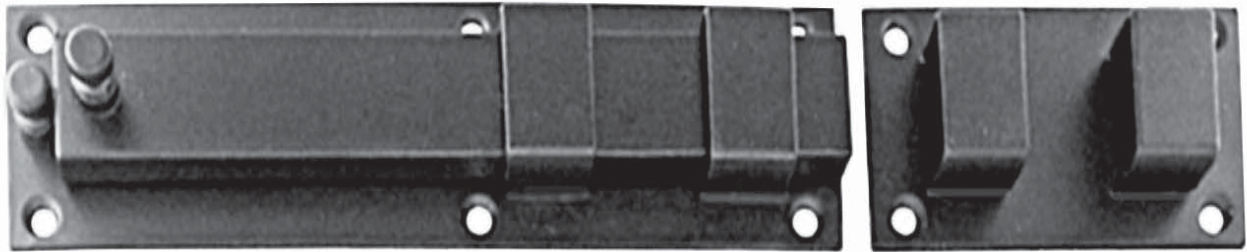
Solid brass





Well-made shutter bolts designed to minimize rattle
 Steel - the lower price alternative
 Stainless steel - premium quality

9725-BK
 Bolt 6 3/4" long
 Bolt base: 7 1/4" X 2"
 Strike base: 3 1/2" X 2"
 Steel
 Flat black



Premium quality stainless steel shutter bolt

9720-BK
 Bolt 6 3/4" long
 Bolt base: 7 1/4" X 2"
 Strike base: 3 1/2" X 2"
 Stainless Steel
 Flat black

S-Scroll Shutter Fasteners
 (Shutter dogs)
 Can be used in wood or brick
 Reversible for right or left

Larger



8802-BK
 8 1/4" high
 Cast iron, flat black
 With 4 3/8" long lag screw

Smaller



8801-BK
 5 3/4" high
 Cast iron, flat black
 With 4 3/8" long lag screw



Ornate

8815-PB polished brass
8815-PL lacquered brass
8815-PN polished nickel
8815-OB oil rubbed bronze
 Bases: 1" X 1 7/8"
 Bar: 2 1/2" long
 Solid brass

Shutter bars, reversible for right and left hands



Plain

8816-PB polished brass
8816-PL lacquered brass
8816-PN polished nickel
8816-OB oil rubbed bronze
 Bases: 7/8" X 1 3/4"
 Bar: 2 1/4" long
 Solid brass

White porcelain knobs with 2 brass plated screws

Screw goes through the center of the knob
 Install with either the screw or the bolt
 For shutters, pictures, drawers etc.



5673
 1" dia.
 7/8" projection
 White porcelain
 1 woodscrew + 1 machine screw



5674
 1 1/4" dia.
 1" projection
 White porcelain
 1 woodscrew + 1 machine screw



Good Hardware
 at Good Prices

For sashes hung flush with the casing or set out of the casing



1529-BK
 3/4" wide (1-1/4" at widest)
 Steel bar, painted black
 Heavy duty hangers for heavier storm windows and screens
 Sold in pairs

Storm Sash / Window Screen Hangers

For sashes set in beyond the face of the casing (offset)



1530-ZP
 2" wide
 Stamped steel, zinc plated
 Sturdy hangers for storm windows and screens
 Sold in pairs



1615-BK
 1 7/8" long
 Cast iron, painted black
 Japanned turn buttons for storm screens, sash windows, cupboards etc.
 Sold in pairs

Door and window hinge

3" X 3"



8780-PL lacquered pol. brass
8780-PN polished nickel
8780-BN brushed nickel
8780-OB oil rubbed bronze
 3" X 3"
 98 gauge
 Ball tips: 1/2" dia.
 Steel
 #9 X 1" screws
Sold in pairs
Architectural grade
For doors or large windows

3 1/2" X 3 1/2"



8781-PL lacquered pol. brass
8781-PN polished nickel
8781-BN brushed nickel
8781-OB oil rubbed bronze
 3 1/2" X 3 1/2"
 135 gauge
 Ball tips: 9/16" dia.
 Steel
 #10 X 1" screws
Sold in pairs
Architectural grade

Door hinges

Square steel door hinges with ball tips

Removable stainless steel pins

(Upper ball tip & pin are one piece of steel)

5 knuckles, swaged
 Architectural grade

Sold in pairs



4" X 4"



8782-PL lacquered pol. brass
8782-PN polished nickel
8782-BN brushed nickel
8782-OB oil rubbed bronze
 4" X 4"
 135 gauge
 Ball tips: 9/16" dia.
 Steel
 #12 X 1-1/4" screws
Sold in pairs
Architectural grade

2 1/2"



*Smaller Parliament hinge
 for cabinets with clearance*

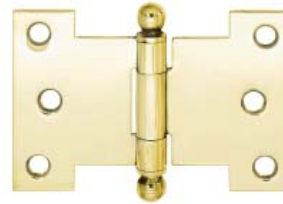
8817-PB polished brass
8817-PN polished nickel
8817-BN brushed nickel
8817-OB oil rubbed bronze
 2 1/2" X 1 3/4"
 1/16" gauge
 Solid brass

3"



8818-PB polished brass
8818-PN polished nickel
8818-BN brushed nickel
8818-OB oil rubbed bronze
 3" X 2 1/4"
 Solid brass

3 1/2"



8819-PB polished brass
8819-PN polished nickel
8819-BN brushed nickel
8819-OB oil rubbed bronze
 3 1/2" X 2 1/2"
 Solid brass

Parliament hinges

For shutters, windows, doors with clearance from wall

With heavy-gauge (3/32" thick) swaged leaves

Stainless steel removable pins with ball tips - reversible

4"



8820-PB polished brass
8820-PN polished nickel
8820-BN brushed nickel
8820-OB oil rubbed bronze
 4" X 2 1/2"
 Solid brass

4 1/2"



8821-PB polished brass
8821-PN polished nickel
8821-BN brushed nickel
8821-OB oil rub'd bronze
 4 1/2" X 2 1/2"
 Solid brass



1811-PB polished brass
1811-PL lacquered brass
1811-AB antique brass
1811-PN polished nickel
1811-BN brushed nickel
1811-OB oil rubbed bronze
1811-PC polished chrome
1811-BC brushed chrome
 1 1/2" X 1 1/2"
 Brass



1812-PB polished brass
1812-PL lacquered brass
1812-AB antique brass
1812-PN polished nickel
1812-BN brushed nickel
1812-OB oil rubbed bronze
 1 1/2" X 2"
 Brass

Premium solid brass extruded cabinet hinges
 High precision machined, with ball tips
 Heavy gauge (3/32" leaf thickness)
 4 sizes - 9 finishes



1813-PB polished brass
1813-PL lacquered brass
1813-AB antique brass
1813-PN polished nickel
1813-BN brushed nickel
1813-OB oil rubbed bronze
1813-BC brushed chrome
 1 3/4" X 2 1/2"
 Brass



1814-PB polished brass
1814-PL lacquered brass
1814-AB antique brass
1814-PN polished nickel
1814-BN brushed nickel
1814-OB oil rubbed bronze
1814-PC polished chrome
1814-BC brushed chrome
 2" X 2 1/2"
 Brass

Small



1821-PB polished brass
1821-PN polished nickel
1821-BN brushed nickel
1821-OB oil rubbed bronze
1821-AB antique brass
1821-AC antique copper
 1 3/8" X 2"
 Steel
Swaged, with removable pin
Sold in pairs

Medium



1822-PB polished brass
1822-PN polished nickel
1822-BN brushed nickel
1822-OB oil rubbed bronze
1822-AB antique brass
1822-AC antique copper
 1 5/8" X 1 15/16"
 Steel
Swaged, with removable pin
Sold in pairs

Steel butt hinges with ball tips
& removable pins
 3 sizes in 6 finishes
 Faithful replicas of old style hinges for cabinets



Large



1823-PB polished brass
1823-PN polished nickel
1823-BN brushed nickel
1823-OB oil rubbed bronze
1823-AB antique brass
1823-AC antique copper
 1 3/4" X 2 7/16"
 Steel
Swaged, with removable pin
Sold in pairs

1535-PL lacquered polished brass
1535-AB antique brass
 Overall height: 4 3/4" , Width (open): 2 1/8"
 Leaf height: 2 1/4" , Height of tip: 1 1/4"
 Leaf width: 3/4" (1" to inside of knuckle)
 Leaf thickness: 1/8" , knuckle dia: 7/16"
 Solid brass
 With steeple tips



Shown closed

L.H.



R.H.



1539-PB polished brass
1539-PL lacquered brass
1539-AB antique brass

Height (w/o tips): 2 1/2"
 Width (open): 1 3/4"
 Leaf height: 1 3/16"
 Leaf width (w/o knuckle): 3/4"
 Leaf thickness: 3/32"
 Height of tip: 1"
 Solid brass
 Left Hand

1540-PB polished brass
1540-PL lacquered brass
1540-AB antique brass

Height (w/o tips): 2 1/2"
 Width (open): 1 3/4"
 Leaf height: 1 3/16"
 Leaf width (w/o knuckle): 3/4"
 Leaf thickness: 3/32"
 Height of tip: 1"
 Solid brass
 Right Hand

High quality extruded and milled, heavy gauge solid brass swaged hinges with steeple tips
 For armoires, wardrobes, clock case doors and cabinets with large doors



"Flag" hinges are handed. Be sure to order the correct hand. The upper (door) leaf can be lifted off the lower (frame) leaf.



1536-PL lacquered polished brass
1536-AB antique brass
 Overall height: 12" , Width (open): 2 1/8"
 Leaf height: 2 1/4" , height of tip: 1 7/8"
 Leaf width: 3/4" (1" to inside of knuckle)
 Leaf thickness: 1/8" , barrel diam.: 7/16"
 Length of barrel between leaves: 3 7/8"
 Solid brass
 With steeple tips

L.H.



R.H.



1541-PB polished brass
1541-PL lacquered brass
1541-AB antique brass

Height (w/o tips): 3 1/4"
 Width (open): 1 3/4"
 Leaf height: 1 9/16"
 Leaf width (w/o knuckle): 3/4"
 Leaf thickness: 3/32"
 Height of tip: 1"
 Solid brass
 Left Hand

1542-PB polished brass
1542-PL lacquered brass
1542-AB antique brass

Height (w/o tips): 3 1/4"
 Width (open): 1 3/4"
 Leaf height: 1 9/16"
 Leaf width (w/o knuckle): 3/4"
 Leaf thickness: 3/32"
 Height of tip: 1"
 Solid brass
 Right Hand

Removable
pin



1561-PB polished brass
1561-AB antique brass
1561-AC antique copper
1561-PN polished nickel
1561-OB oil rubbed bronze
 2 3/8" X 1 3/4"
 Steel
Sold in pairs

Removable
pin



1563-PB polished brass
1563-AC antique copper
1563-PN polished nickel
1563-OB oil rubbed bronze
 2 1/2" X 2"
 Steel
Sold in pairs

Removable
pin



1567-PB polished brass
1567-AC antique copper
1567-PN polished nickel
1567-OB oil rubbed bronze
 3 3/4" X 1 3/4"
 Steel
Sold in pairs



Reversible surface or half-surface hinges are obtained by combining hinge #1566 with hinges #1561, #1563, #1567

Any two hinges will make a pair of mixed hinges



Mixed full-surface hinges are obtained by combining the leaves of hinges #1561, #1563 & #1567



1560-PB polished brass
1560-AB antique brass
1560-AC antique copper
1560-PN polished nickel
1560-OB oil rubbed bronze
 2 3/8" X 2 1/4"
 Steel
Sold in pairs



1564-PB polished brass
1564-AC antique copper
1564-PN polished nickel
1564-OB oil rubbed bronze
 2 7/8" X 1 11/16"
 Steel
Sold in pairs

Ornamental embossed full-surface flush hinges
 Dimensions given are for open hinge, as shown



1562-PB polished brass
1562-AC antique copper
1562-PN polished nickel
1562-OB oil rubbed bronze
 2" X 1 7/16"
 Steel
Sold in pairs

With removable
pin
Reversible



1566-PB polished brass
1566-AC antique copper
1566-PN polished nickel
1566-OB oil rubbed bronze
 1 1/2" X 1 1/2"
 Steel
square butt hinge
Sold in pairs

Reversible flaps for use as full-surface, half-surface, or non-mortise hinge

Small



1553-AC
 2" high (without tips)
 Large leaf 7/8" wide
 Small leaf 3/4" wide
 Steel
 Antique copper finish
 Sold in pairs

Non-mortise hinges with ball tips

Large



1554-AC
 2 1/2" high (without tips)
 Large leaf 1" wide
 Small leaf 3/4" wide
 Steel
 Antique copper finish
 Sold in pairs

For Arts & Crafts and Mission cabinet doors

Small



1556-AC
 2" high (without tips)
 Large leaf 7/8" wide
 Small leaf 3/4" wide
 Steel
 Antique copper finish
 Sold in pairs

Non-mortise hinges with steeple tips

Large



1557-AC
 2 1/2" high (without tips)
 Large leaf 1" wide
 Small leaf 3/4" wide
 Steel
 Antique copper finish
 Sold in pairs

Flush mount



1580-PB polished brass
1580-BN brushed nickel
1580-PN polished nickel
1580-OB oil rubbed bronze
 2 1/4" X 1 1/2"
 Solid brass
 Flush mounting

Art Deco style

Offset mount



1581-PB polished brass
1581-BN brushed nickel
1581-PN polished nickel
1581-OB oil rubbed bronze
 2 1/4" X 1 1/2"
 3/8" offset
 Solid brass



9558
 3" high
 Large leaf 1 1/8" wide
 Small leaf 13/16" wide
 Steel
 Flat black finish
 Non-mortise hinges
 Sold in pairs



1626-PB polished brass
1626-PN polished nickel
 3 1/8" X 1 1/2"
 3/8" & 1/2" offset
 Solid brass
Wraparound hinge
Offset depends on which leaf is on frame and which on door



1627-PB polished brass
1627-PN polished nickel
 2" X 2"
 3/8" offset
 Solid brass
Reversed pad



1628-PB polished brass
1628-PN polished nickel
 2" X 1 1/2"
 3/8" offset
 Solid brass

Hinges for traditional kitchen cabinets

Small



1601-PB polished brass
1601-PN polished nickel
 1 5/8" X 1 1/2"
 3/8" offset
 Solid brass

Butterfly hinges



Large



1602-PB polished brass
1602-PN polished nickel
 1 3/4" X 2"
 3/8" offset
 Solid brass



1600-PB polished brass
1600-PN polished nickel
 2 1/4" X 1 5/8"
 3/8" offset



1594-PB polished brass
1594-PN polished nickel
 2 1/2" X 1 1/2"
 3/8" offset



1593-PB polished brass
1593-PN polished nickel
 1 3/4" X 1 1/4"
 3/8" offset
Scalloped

Hinges for Hoosier kitchen cabinets



1599-PB polished brass
1599-PN polished nickel
 2 3/8" X 1 1/2"
 3/8" offset
Reversed pad



1591-PB polished brass
1591-PN polished nickel
 2" X 1 3/4"
 3/8" offset
Reversed pad



1592-PB polished brass
1592-PN polished nickel
 1 7/8" X 1 3/4"
 3/8" offset



1502-PB polished brass
1502-PN polished nickel
 3/8" offset
 3" long
 1 5/8" wide
 Solid brass , *hand polished*



1500-PB polished brass
1500-PL lacquered brass
1500-PN polished nickel
1500-AB antique brass
 3/8" offset
 3 1/2" long
 1 7/8" wide
 Solid brass , *hand polished*

Ice Box or refrigerator Hinges

For doors, gates, refrigerators etc.



1575-PB polished brass
1575-PN polished nickel
 11" long , 5" at widest
 Solid brass
 Cast, highly polished
Heavy duty large hinge



1550-PB
 1 1/2" X 2"
 Steel - brass plated
Simple small butt hinge
Screws not included



1552-ST
 1 5/8" X 1 3/16" (when open)
 Short flap 11/16" long
 Long flap 15/16" long
 Steel , polished steel finish
A simple old-style butt hinge
with 2 leaves of different lengths



1570-PB
 7" overall length (open)
 3/4" wide
 Steel , brass plated
Slant Top Hinge

For desks, secretaries etc.



Locks at 90° and 180°

1545-PL lacquered brass
1545-AB antique brass
 2 7/8" X 1 1/2"
Sold in pairs

Butler tray hinge in 2 finishes

Smaller



1422-PB polished brass
1422-PN polished nickel
 1 5/8" side length
 1 3/16" hinge length
 Steel
Quadrant hinge

Quadrant hinges for boxes, humidors etc.

Larger



1421-PB polished brass
1421-PN polished nickel
 1 7/8" side length
 1 5/8" hinge length
 Steel
Quadrant hinge

Flush



1582-PL
 1 1/2" X 3 1/2"
 Solid brass - lacquered
 Flush mount

Machined brass Colonial style
 "H" cupboard hinges
 with beveled sides

Offset



1583-PL
 1 1/2" X 3 1/2"
 3/8" offset
 Solid brass - lacquered
 Offset mount



9565 flat black
 2" wide, 2 3/8" high
 Steel
 Flush mount
 Butterfly hinges
 Sold in pairs

Small



1571-AC antique copper
1571-BK black
1571-PB polished brass
 1 3/4" long
 For 3/4" wood thickness
 Steel
 Sold in pairs

Medium

Shown open



Shown closed

1572-AC antique copper
 1 7/8" long
 For 1" wood thickness
 Steel
 Sold in pairs

Double acting hinges for screen / folding doors
 In 3 sizes and 2 finishes: antique copper & polished brass

Large



1574-AC antique copper
1574-PB polished brass
 2" long
 For 1 1/8" wood thickness
 Steel
 Sold in pairs



1160-PB polished brass
 3" center to center
 3 1/2" wide
 Stamped brass
 With beveled edges



1314-PB polished brass
1314-BN brushed nickel
1314-PN polished nickel
1314-OB oil rubbed bronze
 3 1/4" center to center
 3 3/4" wide
 Heavy stamped brass

Stamped brass bin pulls



1117-PB polished brass
1117-BN brushed nickel
1117-PN polished nickel
1117-OB oil rubbed bronze
 3 3/4" wide, 1 3/4" high
 Heavy-stamped brass

Large



1163-PB polished brass
1163-PN polished nickel
1163-BN brushed nickel
1163-OB oil rubbed bronze
 3" center to center
 3 1/2" wide
 Heavy-stamped brass

Traditional bin pulls in 2 sizes

Small



1312-PB polished brass
1312-BN brushed nickel
1312-PN polished nickel
1312-OB oil rubbed bronze
 2 1/2" center to center
 3" wide
 Heavy-stamped brass



1115-PB polished brass
1115-AB antique brass
1115-BN brushed nickel
1115-PN polished nickel
1115-OB oil rubbed bronze
 3 3/8" center to center
 3 3/4" wide
 Forged brass



1310-PB polished brass
1310-BN brushed nickel
1310-PN polished nickel
1310-OB oil rubbed bronze
 3 1/8" center to center
 3 1/2" wide
 Forged brass

Forged brass bin pulls

Large



1429-PB polished brass
1429-AB antique brass
1429-PL lacquered brass
1429-PN polished nickel
1429-BN brushed nickel
1429-OB oil rubbed bronze
 4 1/2" overall length
 4" center to center
 Forged brass

Small



1428-PB polished brass
1428-AB antique brass
1428-PL lacquered brass
1428-PN polished nickel
1428-BN brushed nickel
1428-OB oil rubbed bronze
 3 3/16" overall length
 3" center to center
 Forged brass

Good Hardware
 at Good Prices



Small



1135-PB polished brass
1135-PN polished nickel
 3 1/4" wide, 3/4" high
 2 3/4" center to center
 Cast brass

Medium



1136-PB polished brass
1136 -PN polished nickel
 3 1/2" wide, 7/8" high
 3" center to center
 Cast brass

Ornate cast brass drawer / bin pulls in 3 sizes
 and in 2 finishes: brass & nickel

Large



1137-PB polished brass
1137-PN polished nickel
 4" wide, 7/8" high
 5/8" projection
 3 1/2" center to center
 Cast brass



1134-PB polished brass
1134-AB antique brass
 3 3/8" X 1 1/4"
 3" center to center
 Cast brass
Ornate Victorian bin pull



1143-PB
 3 3/4" wide, 1 1/2" high
 3 1/4" center to center
 Steel
 Brass plated



1143-BK
 3 3/4" wide, 1 1/2" high
 3 1/4" center to center
 Steel
 Flat black finish

Utility pulls



9139
 3 1/2" wide
 2-15/16" center to center
 Cast iron, black



9141 Drawer / Bin Pull
 3 3/8" wide
 2 7/8" center to center
 3/4" projection
 Cast iron, black

Contemporary pulls
Solid brass
In 5 finishes
For cabinet drawers and doors



1427-PB polished brass
1427-PL lacquered brass
1427-PN polished nickel
1427-BN brushed nickel
1427-OB oil rubbed bronze
5 1/2" overall length
3 3/4" center to center

Med.



1425-PB polished brass
1425-PL lacquered brass
1425-PN polished nickel
1425-BN brushed nickel
1425-OB oil rubbed bronze
4 3/4" overall length
3" center to center

Large



1426-PB polished brass
1426-PL lacquered brass
1426-PN polished nickel
1426-BN brushed nickel
1426-OB oil rubbed bronze
6 3/4" overall length
5" center to center
Appliance pull



Extra Large



1424-PB polished brass
1424-PN polished nickel
1424-BN brushed nickel
1424-OB oil rubbed bronze
8 7/8" overall length
7" center to center
Appliance pull

3 sizes: 3", 5", 7" center to center



LARGE BRASS HANDLES IN THE ARTS & CRAFTS STYLE

ALL STRAIGHT LINES AND RIGHT ANGLES

Classic elegance for the home

3 sizes - 5 finishes

Great-looking and sturdy

Appliance pulls

For drawers, cabinet doors



4" center



- 3201-PB** polished brass
- 3201-AB** antique brass
- 3201-PN** polished nickel
- 3201-BN** brushed nickel
- 3201-OB** oil rubbed bronze

Center to center: 4"
 Overall length: 4 7/8"
 Width of handle: 3/8" X 3/8"
 Projection: 1 1/4", clearance: 7/8"
 Bases: 7/8" X 7/8"
 Solid brass



Large handle

8" center



- 3203-PB** polished brass
- 3203-AB** antique brass
- 3203-PN** polished nickel
- 3203-BN** brushed nickel
- 3203-OB** oil rubbed bronze

Center to center: 8"
 Overall length: 8 7/8"
 Width: 3/8" X 3/8"
 Projection: 1 3/8", clearance: 1"
 Bases: 7/8" X 7/8"
 Solid brass



12" center

Extra large handle



- 3205-PB** polished brass
- 3205-AB** antique brass
- 3205-PN** polished nickel
- 3205-BN** brushed nickel
- 3205-OB** oil rubbed bronze

Center to center: 12"
 Overall length: 12 7/8"
 Width: 3/8" X 3/8"
 Projection: 1 3/8", clearance: 1"
 Bases: 7/8" X 7/8"
 Solid brass

2" CC



For small drawers, cubbyholes, etc.

1147-PB polished brass
1147-PN polished nickel
1147-OB oil-rubbed bronze
 2" center to center
 Solid brass

3" CC



1113-PB polished brass
1113-BN brushed nickel
1113-PN polished nickel
1113-OB oil rubbed bronze
 3" center to center
 Solid brass
 With lugs at base



Can be used horizontally for drawers or vertically for cabinet doors

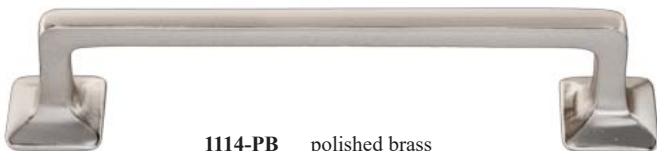
Mission / Arts & Crafts solid brass handles
 Square horizontal bar is centered on bases

3 1/2" CC



1148-PB polished brass
1148-BN brushed nickel
1148-PN polished nickel
1148-OB oil rubbed bronze
 3 1/2" center to center
 Solid brass

4" CC



1114-PB polished brass
1114-BN brushed nickel
1114-PN polished nickel
1114-OB oil rubbed bronze
 4" center to center
 With lugs at base



Ornate handles

1309-PB polished brass
1309-BN brushed nickel
1309-PN polished nickel
1309-OB oil rubbed bronze
 3 7/8" long, 5/8" wide
 3 1/8" center to center
 Solid brass



1133-PB polished brass
 4 1/8" X 9/16"
 3 1/4" center to center
 Solid brass



Drawer and cabinet door handles
 Can be used horizontally or vertically

Large



1132-PB polished brass
1132-AB antique brass
1132-PL lacquered polished brass
1132-PN polished nickel
1132-BN brushed nickel
1132-OB oil rubbed bronze
 4 3/4" long, 4 1/8" center to center
 Solid brass

Screen door pull



Medium

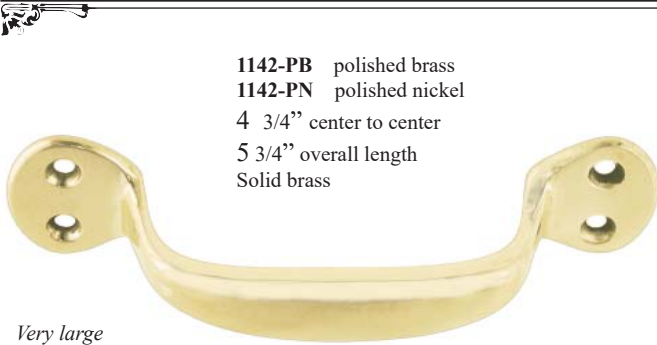


1130-PB polished brass
1130-BN brushed nickel
1130-PN polished nickel
1130-OB oil rubbed bronze
 3" center to center
 Cast brass

Small

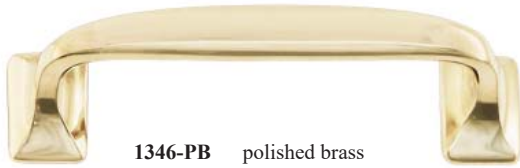


1131-PB polished brass
1131-PN polished nickel
1131-BN brushed nickel
1131-OB oil rubbed bronze
 2 3/8" center to center
 3" long, 5/8" projection
 Cast brass



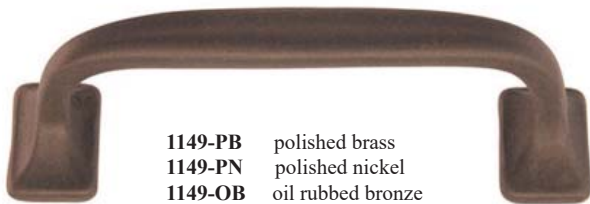
1142-PB polished brass
1142-PN polished nickel
 4 3/4" center to center
 5 3/4" overall length
 Solid brass

*Very large
brass handle*



1346-PB polished brass
1346-PN polished nickel
1346-OB oil rubbed bronze
1346-BN brushed nickel
 3" center to center
 Solid brass

Early 20th century solid brass handles in two sizes
 For drawers, file cabinets, display cases, etc.
 Oval horizontal bar set off-center to bases



1149-PB polished brass
1149-PN polished nickel
1149-OB oil rubbed bronze
1149-BN brushed nickel
 3 1/2" center to center
 Solid brass



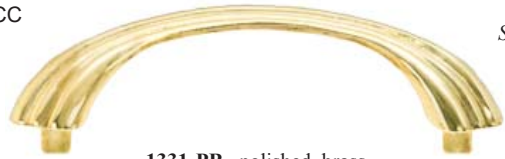
1335-PB polished brass
1335-PN polished nickel
 4" center to center
 5" tall, 7/8" wide
 7/8" projection
 Solid brass

*For cabinet doors (vertical)
and for drawers (horizontal)*

Art Deco / moderne



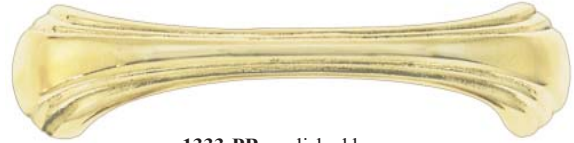
3" CC



Small

1331-PB polished brass
1331-PN polished nickel
 3" center to center
 7/8" projection
 Solid brass

4" CC



Medium

1333-PB polished brass
1333-PN polished nickel
 4" center to center
 7/8" projection
 Solid brass

4 1/2" CC



Large

1334-PB polished brass
1334-PN polished nickel
 4 1/2" center to center
 7/8" projection
 Solid brass

Art Deco and moderne handles
 In two finishes: polished nickel and polished brass

3 1/2" CC



1332-PB polished brass
1332-PN polished nickel
 3 1/2" center to center
 7/8" projection
 Solid brass

1 1/2" CC



1330-PB polished brass
1330-PN polished nickel
 1 1/2" center to center
 7/8" projection
 Solid brass

Small



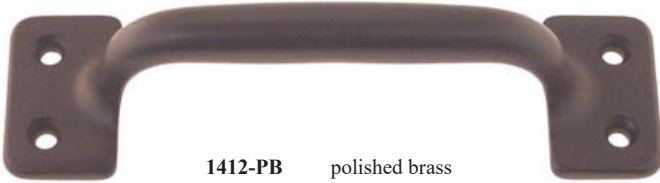
1409-PB polished brass
1409-PL lacquered brass
1409-AB antique brass
1409-BN brushed nickel
1409-PN polished nickel
1409-OB oil rubbed bronze
 4" overall length
 3 1/2" center to center
 Solid brass

Medium



1410-PB polished brass
1410-PL lacquered brass
1410-AB antique brass
1410-BN brushed nickel
1410-PN polished nickel
1410-OB oil rubbed bronze
 4" center to center
 4 3/4" overall length, 1 3/16" wide
 Solid brass

Large



A larger size than the other 2 similar handles enabling a better grip

1412-PB polished brass
1412-PL lacquered brass
1412-AB antique brass
1412-BN brushed nickel
1412-PN polished nickel
1412-OB oil rubbed bronze
 4 3/8" center to center
 5" overall length, 1 3/16" wide
 Solid brass

Bar handles for sashes, windows, file cabinets, drawers



1411-PB polished brass
1411-PN polished nickel
 3 3/4" center to center
 4 1/4" overall length, 1 1/4" wide
 Solid brass



6100
 5 1/2" wide
 3 1/2" center to center
 Zinc diecast & Bakelite



6101
 6" wide
 4 1/4" center to center
 Zinc diecast & Bakelite

Bakelite and die-cast metal handles
 for waterfall, Depression, 1930's furniture, etc.
 Metal parts in antique brass finish



6102
 4 3/4" wide
 4" center to center
 Zinc diecast & Bakelite



6103
 5 1/8" wide
 4 1/2" center to center
 Zinc diecast & Bakelite



1180-PB polished brass
1180-AB antique brass
 3" center to center
 Wrought brass handle



1181-PB polished brass
1181-AB antique brass
 3" center to center
 Wrought brass handle



1182-PB polished brass
1182-AB antique brass
 3" center to center
 Wrought brass handle
Contoured plain handle



1183-PB
 3" center to center
 Wrought brass handle



1185-PB
 2" center to center
 Wrought brass handle
A smaller version of #1180-PB

2" C.C.

Swan-neck bail pull with turned posts



1146-PB
 3" center to center
 Solid brass
*Contoured flat handle
 with special turned posts*



1190-PB polished brass
1190-AB antique brass
 3" center to center
 Cast brass handle



1191-PB polished brass
1191-AB antique brass
 3" center to center
 Cast brass handle



1192-PB polished brass
1192-AB antique brass
 3" center to center
 Cast brass handle
With pierced rosettes



1179-PB polished brass
1179-AB antique brass
 15/16" diameter
 Stamped brass
*Finishing washers - standard
 back plates for knobs and bail
 sets*

Sold in pairs



1189-PB polished brass
1189-AB antique brass
 1 1/8" diameter
 Stamped brass
 Pierced Rosettes, "fancy"
*back plate for bail sets,
 ornate knobs, etc.*

Small



1317-PB polished brass
1317-AB antique brass
 2 1/2" center to center
 Posts 1 1/8" dia.
 Solid brass

Medium



1318-PB polished brass
1318-AB antique brass
 3" center to center
 Posts 1 1/8" dia.
 Solid brass



Large

1319-PB polished brass
1319-AB antique brass
 3 1/2" center to center
 Posts 1 3/8" dia.
 Solid brass

3 Colonial Revival drawer pulls
 With square handles and hexagonal posts



1011-PB
 8-32 thread
 1 1/8" long
 Includes 2 threaded studs and 2 nuts
 Sold in pairs

Stud and Nuts and posts for pulls can be bought by themselves



1186-PB
 1" plate dia.
 Solid brass
 Includes threaded studs & nuts
 Round posts for handles, bails etc.
 Sold in pairs

Oval posts



1320-PB
 1 1/8" X 1 1/2"
 Solid brass
 Includes threaded studs & nuts
 Oval posts for handles, bails etc.
 Rope pattern
 Sold in pairs

Medium



1321-PB polished brass
1321-AB antique brass
 3" center to center
 Oval rosettes: 1 1/8" X 1 1/2"
 Solid brass
 Rope pattern

Large



1322-PB polished brass
1322-AB antique brass
 3 1/2" center to center
 Oval rosettes: 1 1/8" X 1 1/2"
 Solid brass
 Rope pattern

2 swan-neck pulls with oval rosettes

Small



1325-PB polished brass
1325-AB antique brass
1325-PL lacquered brass
 2 1/2" center to center
 Rosettes: 1" dia.
 Solid brass

Medium



1326-PB polished brass
1326-AB antique brass
1326-PL lacquered brass
 3" center to center
 Rosettes: 1" dia.
 Solid brass

Large



1327-PB polished brass
1327-AB antique brass
1327-PL lacquered brass
 3 1/2" center to center
 Rosettes: 1" dia.
 Solid brass

3 swan-neck pulls with beaded center and round rosettes in 3 finishes

Handle with a stop, swings out one way only



Lifting handle for chests, boxes, and furniture

1140-PB polished brass
1140-AB antique brass
 4 1/2" center to center
 6" overall length
 Solid brass

Small



1125-PB
 2 1/2" center to center
 Rosettes: 1" dia.
 Solid brass
 With "bead" at center of bail

Medium



1126-PB
 3" center to center
 Rosettes: 1" dia.
 Solid brass
 With "bead" at center of bail

Large



1127-PB
 3 1/2" center to center
 Rosettes: 1" dia.
 Solid brass
 With "bead" at center of bail

3 swan-neck pulls with beaded center in 3 finishes

2" C.C.



1119-PB
 2" center to center
 Rosettes: 1" dia.
 Solid brass

2 1/2" CC



1120-PB polished brass
1120-AB antique brass
 2 1/2" center to center
 Rosettes: 1" dia.
 Solid brass

3" CC



1121-PB polished brass
1121-AB antique brass
 3" center to center
 Rosettes: 1" dia.
 Solid brass

3 1/2" CC



1122-PB polished brass
1122-AB antique brass
 3 1/2" center to center
 Rosettes: 1 3/16" dia.
 Solid brass

4" CC



1123-PB polished brass
1123-AB antique brass
 4" center to center
 Post plate: 1 3/16" dia.
 Solid brass

Swan-neck drawer pulls in 5 sizes and 2 finishes



1150-PB polished brass
1150-AB antique brass
 Plate: 4 1/8" X 2"
 3" center to center
 Stamped brass



1151-PB polished brass
1151-AB antique brass
 Plate: 4 1/2" X 2 1/4"
 3" center to center
 Stamped brass



1154-PB polished brass
1154-AB antique brass
 Plate: 4 1/8" X 1 3/4"
 3" center to center
 Stamped brass



1152-PB polished brass
1152-AB antique brass
 Plate: 4 3/4" X 2 1/4"
 3" center to center
 Stamped brass

Stamped brass Victorian, Eastlake and American Oak furniture pulls



1153-PB polished brass
1153-PN polished nickel
 Plate: 5" X 1 7/8"
 3" center to center
 Stamped brass
Eastlake style



1157-PB polished brass
1157-AB antique brass
 Plate: 4 1/8" X 1 3/4"
 3" center to center
 Stamped brass

Sm.



1156-PB polished brass
1156-PN polished nickel
1156-AB antique brass
 Plate: 3 1/4" X 1 1/2"
 2 1/2" center to center
 Stamped brass
*With square posts
 Eastlake style*



1158-PB polished brass
1158-AB antique brass
 Plate: 3 5/8" X 1 5/8"
 3" center to center
 Stamped brass

Lg.



1155-PB polished brass
1155-PN polished nickel
1155-AB antique brass
 Plate: 4 1/4" X 1 1/2"
 3" center to center
 Stamped brass
*With square posts
 Eastlake style*



UPC BAR-CODE LABELS

Would UPC bar-code labels on your products help you with your operation at your point of sale? We can put our UPC bar-code labels on products for you. Please contact us for more information.



1100-PB
 Plate: 4 3/8" X 1 3/4"
 3" center to center
 Cast brass



1105-PB polished brass
1105-AB antique brass
 Plate: 4 3/8" X 1 5/8"
 3" center to center
 Cast brass



1101-PB polished brass
1101-AB antique brass
 Plate: 4 3/8" X 1 7/8"
 3" center to center
 Cast brass



1106-PB polished brass
1106-AB antique brass
 Plate: 3 3/4" X 1 7/16"
 3" center to center
 Cast brass

Cast brass Victorian and American Oak furniture pulls



1102-PB
1102-AB
 Plate: 4 3/8" X 1 7/8"
 3" center to center
 Cast brass



1107-PB polished brass
1107-AB antique brass
 3" center to center
 Plate: 4 3/8" wide, 2" high
 Forged brass
Drawer pull



1103-PB
 Plate: 3 3/4" X 2"
 3" center to center
 Cast brass



Sold in pairs



1178-PB polished brass
1178-AB antique brass
 Stem 1 1/8" long
 Brass plated
Standard eyelet posts for drop handles

1187-PB polished brass
1187-AB antique brass
 7/8" projection
 Solid brass
Fancy, ornate posts for Victorian pulls. Can be used with any back plate or handle on pages 63,66,67



1104-PB polished brass
1104-AB antique brass
 Plate: 3 7/8" X 1 7/8"
 3" center to center
 Cast brass



Sold in pairs

1188-PB polished brass
1188-PN polished nickel
 5/8" projection
 Solid brass
Square posts for Victorian Eastlake pulls



1198-PB
 3/4" projection
 Shanks tapped for 8-32 thread
 Solid brass
Come with screws.



Medium

1171-PB polished brass
1171-AB antique brass
 2 1/2" center to center
 Plate: 3 1/2" X 2 1/8"
 Solid brass



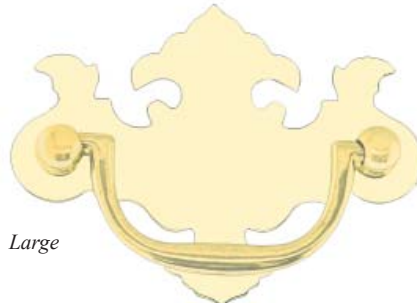
Medium

1467-PB
 2 1/2" center to center
 Plate: 3 1/4" X 2 1/2"
 Solid brass



Large

1170-PB polished brass
1170-AB antique brass
 3" center to center
 Plate: 4 1/8" X 2 1/2"
 Solid brass



Large

1468-PB
 3" center to center
 Plate: 4 1/8" X 3 1/4"
 Solid brass

Chippendale style willow brasses

Heavy-stamped plates

For Chippendale style keyhole plates see p. 83



Small

1458-PB
 2" center to center
 Plate: 2 1/2" X 1 5/8"
 Solid brass



Small

1493-PB
 2" center to center
 Plate: 2 3/4" X 1 7/8"
 Solid brass
 Openwork plate



Medium

1459-PB
 2 1/2" center to center
 Plate: 3" X 2"
 Solid brass



Medium

1494-PB
 2 1/2" center to center
 Plate: 3 3/8" X 2 3/8"
 Solid brass
 Openwork plate



Large

1460-PB
 3" center to center
 Plate: 3 5/8" X 2 1/2"
 Solid brass



Large

1495-PB
 3" center to center
 Plate: 4 1/8" X 2 7/8"
 Solid brass
 Openwork plate

Available with or without lacquer



Large

1173-PB polished brass
1173-PL lacquered brass
 3" center to center
 Plate: 4" X 3"
 Solid brass
 Chippendale style pull with openwork plate (pierced)

Chippendale style willow brasses
 Heavy-stamped plates
 For Chippendale style keyhole plates see p. 83



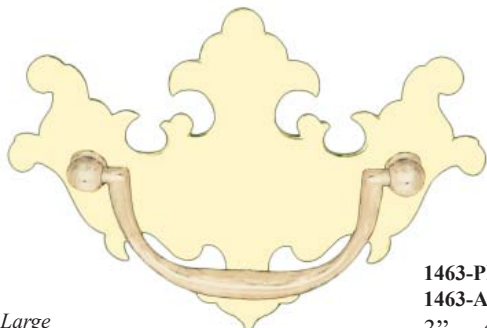
Small

1461-PB polished brass
1461-AB antique brass
 2" center to center
 Plate: 3 1/8" x 2 1/4"
 Solid brass



Medium

1462-PB polished brass
1462-AB antique brass
 2 1/2" center to center
 Plate: 3 3/4" X 2 3/4"
 Solid brass



Large

1463-PB polished brass
1463-AB antique brass
 3" center to center
 Plate: 4 1/2" X 3 3/8"
 Solid brass



Small

1175-PB polished brass
1175-AB antique brass
 2" center to center
 Plate: 1 3/4" X 2 1/2"
 Stamped brass plate
 Cast brass handle, brass posts



Medium

1176-PB polished brass
1176-AB antique brass
 2 1/2" center to center
 Plate: 3" X 2 3/8"
 Stamped brass plate
 Cast brass handle, brass posts



Large

1177-PB polished brass
1177-AB antique brass
 3" center to center
 Plate: 3 3/4" X 2 3/4"
 Stamped brass plate
 Cast brass handle, brass posts

Oval pulls with 2 patterns
 Urn and sunburst



Small

1453-PB
 2" center to center
 Plate: 2 5/8" X 1 3/4"
 Stamped brass



Medium

1454-PB
 2 1/2" center to center
 Plate: 3 1/8" X 2 1/4"
 Stamped brass

Sm.



1168-PB polished brass
1168-AB antique brass
 Plate: 1 5/8" dia.
 Stamped brass back plate
 Cast brass ring
Single post

Lg.



1167-PB polished brass
1167-AB antique brass
 Plate: 2" dia.
 Stamped brass back plate
 Cast brass ring
Single post

2 ring pulls with a single post at center of plate

Sm.



1450-PB
 Plate: 1 1/2" dia.
 Stamped brass
Single post

Med.



1451-PB
 Plate: 1 3/4" dia.
 Stamped brass
Single post

Lg.



1452-PB
 Plate: 2" dia.
 Stamped brass
Single post

3 ring pulls with urn pattern and single post at top of plate
 See also 2 oval pulls with the same pattern on previous page



1165-PB polished brass
1165-AB antique brass
 Plate: 3" wide, 1 7/8" high
 Stamped brass
Single post



1166-PB polished brass
1166-AB antique brass
 Plate: 3" wide, 1 1/2" high
 Stamped brass
Single post



1169-PB polished brass
1169-AB antique brass
 Plate: 2 3/4" wide, 2 1/8" high
 Stamped brass
Single post

Colonial Revival pulls
 with a single post at center of plate



1195-PB polished brass
1195-AB antique brass
 Plate: 2 1/8" wide, 2 1/4" high
 Stamped brass
Single post



1194-PB polished brass
1194-AB antique brass
 Plate: 2 1/2" wide, 1 3/8" high
 Stamped brass
Single post

Small



1455-PB
 Plate: 2 1/2" X 1 5/8"
 Ring: 1 1/2" wide
 Solid brass
 Single post

Medium



1456-PB
 Plate: 3" X 2"
 Ring: 1 3/4" wide
 Solid brass
 Single post

Chippendale style willow brasses
 Single post with ring pulls
 Heavy-stamped plates

Sm.



1249-PB
 Bow: 3/4" wide
 Base: 3/8" dia.
 Solid brass

Med.



1251-PB
 Bow: 1" wide
 Base: 1/2" dia.
 Solid brass

Lg.



1250-PB
 Bow: 1 1/2" wide
 Back plate: 1 1/8" dia.
 Solid brass

Bow pulls (Dutch Pulls) in 3 sizes



1281-PB polished brass
1281-PN polished nickel
1281-AB antique brass
 Plate: 1 1/2" wide, 1 3/4" high
 1 3/4" ring dia.
 Solid brass



1282-PB polished brass
1282-PN polished nickel
 Plate: 2 1/6" wide, 2 1/16" high
 1 1/2" ring dia.
 Solid brass

Eastlake style ring pulls
 In polished brass and polished nickel finishes

Often overlooked fact: Eastlake furniture mostly used polished nickel hardware

Smaller



1277-PB polished brass
1277-PN polished nickel
 1 3/4" back plate dia.
 1 3/4" ring dia.
 Solid brass

Larger



1278-PB polished brass
1278-PN polished nickel
 2 1/2" back plate dia.
 1 3/4" ring dia.
 Solid brass



1260-PB polished brass
1260-AB antique brass
 Lion head: 1 5/8" X 2"
 1 1/2" ring dia.
 Solid brass
 Duncan Phyfe style
 Lion Head Pull



1259-PB polished brass
1259-AB antique brass
1259-PN polished nickel
 Plate: 2" wide
 1 5/8" ring dia.
 Solid brass

PENDANT PULLS



1470-1484-PB
Plate: 1 1/2" dia.
Drop: 1 3/4"
Medium



1470-1483-PB
Plate: 1 1/2" dia.
Drop: 1 7/8"
Medium



1471-1480-PB
Plate: 1 3/4" wide
Drop: 1 3/4"
Small



1472-1481-PB
Plate: 2 1/4" wide
Drop: 2"
Large



1470-1485-PB
Plate: 1 1/2" dia.
Drop: 2"
Medium



1470-1490-PB
Plate: 1 1/2" dia.
Drop: 2 1/8"
Medium



1472-1487-PB
Plate: 2 1/4" wide
Drop: 1 3/8"
Large



1472-1485-PB
Plate: 2 1/4" wide
Drop: 2"
Large

Colonial Revival / Depression Era
Solid brass pendant pulls
More pendant/backplate combinations are possible
See next page



1469-1482-PB
Plate: 1 3/16" dia.
Drop: 1 7/8"
Small



1473-1489-PB
Plate: 1 3/8" dia.
Drop: 1 3/4"
Small



1474-1487-PB
Plate: 1 7/8" dia.
Drop: 1 3/8"
Large



1474-1488-PB
Plate: 1 7/8" dia.
Drop: 1 3/4"
Large



1474-1486-PB
Plate: 1 7/8" dia.
Drop: 2 1/4"
Large



Good Hardware
at Good Prices

Sm.



1471-PB Plate
1 3/4" wide, 7/8" high

Lg.



1472-PB Plate
2 1/4" wide, 1 1/8" high

Med.



1473-PB Plate
1 3/8" dia.

Sm.



1469-PB Plate
1 3/16" dia.

Lg.



1474-PB Plate
1 7/8" dia.

Med.



1470-PB Plate
1 1/2" dia.

11 pendants and 6 back plates
for Colonial Revival drop pulls
Mix and match any plate and pendant



1489-PB
1" wide
1 3/4" drop



1480-PB
1 1/4" wide
1 3/4" drop



1481-PB
1 1/2" wide
2" drop



1482-PB
3/4" wide
1 7/8" drop



1483-PB
1" wide
1 7/8" drop



1486-PB
1 1/8" wide
2 1/4" drop



1485-PB
1 1/2" wide
2" drop



1490-PB
1 1/4" wide
2 1/8" drop



1484-PB
1 1/8" wide
1 3/4" drop



1487-PB
2" wide
1 3/8" drop



1488-PB
1 3/4" wide
1 3/4" drop



1141-PB polished brass
1141-PL lacquered polished brass
1141-PN polished nickel
1141-BN brushed nickel
1141-OB oil rubbed bronze
 1 7/16" X 1 3/4"
 Solid brass
Flush (recessed) ring pull



1255-PB polished brass
1255-PN polished nickel
 Pendant 1 1/2" long
 1" back plate dia.
 Solid brass



1256-PB polished brass
1256-PN polished nickel
 Pendant 2" long
 1 1/4" back plate dia.
 Solid brass



1276-PB
 Pendant 2" long
 Plate: 2 3/8" X 2 1/4"
 Solid brass
Chased plate

Colonial Revival "tear drop" pulls

Large



1257-PB polished brass, ebonized
1257-AB antique brass, ebonized
1257-W-PB polished brass, walnut
 Conic rosette: 1 5/8" dia.
 Pendant: 3" long, 1 1/8" dia.

Small



1267-PB polished brass, ebonized
1267-AB antique brass, ebonized
1267-W-PB polished brass, walnut
 Pendant: 2 1/2" long, 7/8" dia.
 Conic rosette: 1 1/4" dia.

Eastlake style Victorian drop pulls

Small



1270-PB polished brass
1270-AB antique brass
 Pendant: 1 1/2" long, 7/8" dia.
 Conic rosette: 1 1/4" dia.
Ebonized knob

Large



1269-PB polished brass
1269-AB antique brass
 Pendant: 2" long, 1 1/4" dia.
 Conic rosette: 1 5/8" dia.
Ebonized knob

Walnut knob



1258-W-PB
 1" dia.
 1 1/4" projection
 Walnut wood with brass top
 Polished brass

Smaller

Ebonized knob



1258-PB polished brass
1258-AB antique brass
 1" dia.
 1 1/4" projection
 Ebonized wood with brass top
*The brass top is available
 in 2 finishes*

Smaller

Eastlake Victorian wood knobs with brass tops
 2 sizes, 2 woods, 2 finishes
 Screw welded to brass top and wedged to wood part
 exactly as in the original knobs

Walnut knob



1268-W-PB
 1 3/8" dia.
 1 1/4" projection
 Walnut wood with brass top
 Polished brass
 Unfinished walnut

Larger

Ebonized knob



1268-PB polished brass
1268-AB antique brass
 1 3/8" dia.
 1 1/4" projection
 Ebonized wood with brass top
*The brass top is available
 in 2 finishes*

Larger



1281



1282

More Eastlake hardware
 Ring pulls and matching keyhole plates

Often overlooked fact: Eastlake furniture mostly used polished nickel hardware



1204



1213



1340-PB polished brass
1340-AB antique brass
 Diameter: 1 1/8"
 Projection: 1"
 Base dia.: 9/16"
 Solid brass
Smaller

*French style brass knobs
 Come in 2 sizes and 2 finishes*



1341-PB polished brass
1341-AB antique brass
 Diameter: 1 1/2"
 Projection: 1 1/4"
 Base dia.: 11/16"
 Solid brass
Larger

Large



1243-PB polished brass
1243-AB antique brass
 1 1/2" dia.
 1" projection
 Cast brass



1292-PB polished brass
1292-AB antique brass
 1 1/2" dia.
 7/8" projection
 Cast brass

Small



1291-PB polished brass
1291-AB antique brass
 1 1/4" dia.
 13/16" projection
 Cast brass



1241-PB polished brass
1241-AB antique brass
 1 1/4" dia.
 1" projection
 Cast brass

Ornate American Oak Victorian knobs - come with the finishing washer shown below
 Can also be used with the pierced rosette shown on this page



1240-PB polished brass
1240-AB antique brass
 1 1/2" dia.
 1" projection
 Cast brass



1244-PB polished brass
1244-AB antique brass
 1 1/4" dia.
 7/8" projection
 Cast brass



1179-PB polished brass
1179-AB antique brass
 15/16" dia.
 Stamped brass
Finishing washer is included with all knobs on this side
Can also be ordered separately
Sold in pairs



1189-PB polished brass
1189-AB antique brass
 1 1/8" diameter
 Stamped brass
Pierced Rosettes, "fancy" back plates for bail sets, ornate knobs, etc.
Sold in pairs

Small



1294-PB
1" dia.
7/8" projection
Stamped brass

Side
view



1299-PB polished brass
1299-AB antique brass
1" dia.
5/8" projection
Back plate: 1" dia.

Medium



1295-PB
1 1/4" dia.
1" projection
Stamped brass



1298-PB polished brass
1298-AB antique brass
1 1/4" dia.
3/4" projection
Back plate: 1 1/4" dia.

Colonial Revival style knobs
Pattern available in 3 sizes

Sheraton style knobs with matching plates
Available in 2 finishes and 4 sizes

Large



1296-PB
1 1/2" dia.
1 1/8" projection
Stamped brass



1297-PB polished brass
1297-AB antique brass
1 5/8" dia.
1 1/16" projection
Back plate: 1 5/8" dia.
Stamped brass



1246-PB polished brass
1246-AB antique brass
1246-PN polished nickel
1" dia. , 1" projection
Cast brass
*Colonial revival,
Depression era*



1300-PB polished brass
1300-AB antique brass
2" dia.
1 3/8" projection
Back plate: 2" dia.
Stamped brass

Colonial Revival / Depression Era
Early 20th century

Small



1237-PB polished brass
1237-PL lacquered brass
1237-AB antique brass
1237-OB oil rubbed bronze
1237-PN polished nickel
1237-BN brushed nickel
1237-BK black
 1" dia.
 7/8" projection

Medium



1238-PB polished brass
1238-PL lacquered brass
1238-AB antique brass
1238-OB oil rubbed bronze
1238-PN polished nickel
1238-BN brushed nickel
1238-BK black
 1 1/4" dia.
 1 1/8" projection

3 solid brass spun knobs

Large



1239-PB polished brass
1239-PL lacquered brass
1239-AB antique brass
1239-OB oil rubbed bronze
1239-PN polished nickel
1239-BN brushed nickel
1239-BK black
 1 1/2" dia.
 1 3/8" projection

Small



1235-PB polished brass
1235-OB oil rubbed bronze
1235-PN polished nickel
1235-BN brushed nickel
1235-PC polished chrome
 1" X 5/8" ,
 1" projection

2 solid brass oval knobs

Large



1236-PB polished brass
1236-OB oil rubbed bronze
1236-PN polished nickel
1236-BN brushed nickel
1236-PC polished chrome
 1 1/4" X 7/8"
 1 1/4" projection



1231-PB
 5/8" dia.
 5/8" proj.



1232-PB
 3/4" dia.
 3/4" proj.

4 solid brass knobs with matching back plates
come with a machine screw and hanger bolt



1233-PB
 1" dia.
 1" proj.



1234-PB
 1 1/4" dia.
 1 1/4" proj.

Small



- 1435-PB** polished brass
- 1435-PL** lacquered brass
- 1435-PN** polished nickel
- 1435-BN** brushed nickel
- 1435-OB** oil rubbed bronze
- 1" dia.
- 1 1/16" projection

Same pattern in two sizes

Large



- 1436-PB** polished brass
- 1436-PL** lacquered brass
- 1436-PN** polished nickel
- 1436-BN** brushed nickel
- 1436-OB** oil rubbed bronze
- 1 1/4" dia.
- 1 3/16" projection

Small



- 1432-PB** polished brass
- 1432-PL** lacquered brass
- 1432-PN** polished nickel
- 1432-BN** brushed nickel
- 1432-OB** oil rubbed bronze
- 1" dia.
- 1" projection

Same pattern in two sizes

Large



- 1433-PB** polished brass
- 1433-PL** lacquered brass
- 1433-PN** polished nickel
- 1433-BN** brushed nickel
- 1433-OB** oil rubbed bronze
- 1 1/4" dia.
- 1" projection

Contemporary knobs

Classic elegance
Solid brass - In 5 finishes

Small



- 1438-PB** polished brass
- 1438-PL** lacquered brass
- 1438-PN** polished nickel
- 1438-BN** brushed nickel
- 1438-OB** oil rubbed bronze
- 1" dia.
- 1 1/8" projection

Same pattern in two sizes

Large



- 1439-PB** polished brass
- 1439-PL** lacquered brass
- 1439-PN** polished nickel
- 1439-BN** brushed nickel
- 1439-OB** oil rubbed bronze
- 1 1/4" dia.
- 1 3/16" projection



- 1434-PB** polished brass
- 1434-PL** lacquered brass
- 1434-PN** polished nickel
- 1434-BN** brushed nickel
- 1434-OB** oil rubbed bronze
- 1 1/4" dia.
- 1" projection



- 1437-PB** polished brass
- 1437-PL** lacquered brass
- 1437-PN** polished nickel
- 1437-BN** brushed nickel
- 1437-OB** oil rubbed bronze
- 1 3/4" wide
- 1 3/8" projection

Oblong octagonal knob



1336-PB polished brass
1336-PN polished nickel
 1 1/4" X 7/8"
 7/8" projection
 Solid brass

Art Deco knobs

Round knob with rings



1337-PB polished brass
1337-PN polished nickel
 1 3/16" dia.
 1 1/8" projection
 Solid brass



1245-PB polished brass
1245-PN polished nickel
 1 1/8" dia. , 3/4" projection
 Stamped brass
Simple knob for Hoosiers, kitchen cabinets, etc.

Top view



1248-PB
 1 5/16" dia. , 1 1/8" projection
 1" back plate dia.
 Stamped brass
*Spool cabinet knob
 With split pin (cotter) attachment*



1221-PB
 3/8" dia.
 7/16" projection



1222-PB polished brass
1222-PN polished nickel
 1/2" dia.
 1/2" projection
In 2 finishes



Solid brass "bookcase" knobs
 Come with machine screw and hanger bolt



1223-PB
 5/8" dia.
 1/2" projection



1224-PB
 3/4" dia.
 9/16" projection



With concentric rings on face of knobs



1226-PB
 5/8" dia.
 1/2" projection

1228-PB
 7/8" dia.
 1/2" projection



1229-PB polished brass
1229-PN polished nickel
 5/8" dia. , 9/16" projection
 Solid brass
*Bookcase Knob
 In 2 finishes*



1230-PB polished brass
1230-BK flat black
 3/4" dia.
 5/8" projection
*Mushroom shaped
 In 2 finishes*





Small



1261-PB
 3/4" square
 3/4" projection
 Solid brass
 Polished brass



1266-PB polished brass
 3/4" X 3/4"
 Heavy stamped brass
*Square back plate
 for use with knob #1261 etc.*

Medium



1262-PB polished brass
1262-BN brushed nickel
1262-PN polished nickel
1262-OB oil rubbed bronze
 1" square, 7/8" projection
 Solid brass



6104
 2" dia.
 3/4" projection
 Bakelite & Zinc diecast

Large



1263-PB polished brass
1263-BN brushed nickel
1263-PN polished nickel
1263-OB oil rubbed bronze
 1 1/4" square, 1" projection
 Solid brass



9252
 1 3/16" dia.
 1 3/16" projection
 Iron
 Painted black

Cast iron knob painted black

Mission / Arts & Crafts solid brass pyramid knobs



1020-AC
 1 3/16" X 1 3/16"
 Base: 13/16" X 13/16"
 15/16" projection
 Forged brass
 Antique copper finish
 Hammered surface



Good Hardware
 at Good Prices



1201-PB polished brass
1201-AB antique brass
 2 1/4" X 1 1/8"
 Cast brass



1202-PB polished brass
1202-AB antique brass
 2" X 1 1/2"
 Cast brass



1212-PB polished brass
1212-AB antique brass
 2 1/8" wide, 1 3/8" high
 Forged brass



1207-PB polished brass
1207-AB antique brass
 2" X 1 1/4" dia.
 Stamped brass



1208-PB polished brass
1208-AB antique brass
 1 7/8" X 1 1/8" dia.
 Stamped brass



1213-PB polished brass
1213-PN polished nickel
 Overall height and width: 2 1/8"
 Length of side: 1 1/2"
 Solid brass
Eastlake style

2 Eastlake style keyhole plates

Note: Eastlake furniture mostly used polished nickel hardware



1204-PB polished brass
1204-PN polished nickel
 1" wide, 1 1/2" high
 Stamped brass
Eastlake style



6547-PB
 3 3/4" long
 1 3/8" high
 Heavy stamped brass

*Premium quality plate for roll top desks
 Made of thick brass sheet*



Large keyhole plate

1205-PB
 5 1/2" long, 1 1/2" high
 Cast brass



1203-PB
 2 3/8" X 2 1/4"
 Wrought brass
*Chased plate
 Colonial Revival*



1209-PB polished brass
1209-AB antique brass
 1" dia.
 Stamped brass
Round



1210-PB polished brass
1210-AB antique brass
 1 1/2" X 1 1/8"
 Stamped brass
Horizontal oval



1211-PB polished brass
1211-AB antique brass
 1 1/8" X 1 1/2"
 Stamped brass
Vertical oval



1218-PB polished brass
1218-AB antique brass
 1 3/8" dia.
 Stamped brass
Round



1219-PB polished brass
1219-AB antique brass
 1 1/2" X 1 1/8"
 Stamped brass
Horizontal oval



1220-PB polished brass
1220-AB antique brass
 1" X 1 5/16"
 Stamped brass
Vertical oval



1217-PB polished brass
1217-AB antique brass
 1 1/16" X 1 5/8"
 Stamped brass

Colonial Revival keyhole plates



1023-AC
 1 5/8" X 1"
 Forged brass
 Antique copper finish
Rectangular keyhole plate



1214-PB
 1 15/16" X 7/8"
 Solid brass, heavy stamped
Diamond-shaped

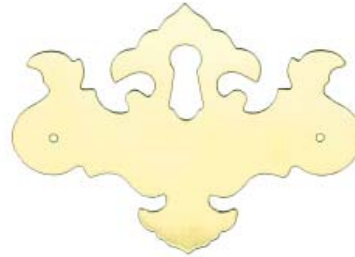


1216-PB
 1 15/16" X 7/8"
 Solid brass, heavy stamped
Rectangular

Mission style keyhole plates



1172-PB polished brass
1172-AB antique brass
 Plate: 3 1/2" X 2 1/8"
 Solid brass



1466-PB
 3 1/4" X 2 1/2"
 Solid brass



1457-PB
 Plate: 2 1/2" X 1 5/8"
 Solid brass



1464-PB polished brass
1464-AB antique brass
 Plate: 3 1/8" X 2 1/4"
 Solid brass



1492-PB
 2 3/4" X 1 7/8"
 Solid brass
Openwork keyhole plate



1491-PB
 3/4" X 2 5/8"
 Solid brass
Openwork keyhole plate

Chippendale style willow brasses
 Keyhole plates (escutcheons)



Front view Side view

1199-PB
9/16" inside height
Stamped brass



1200-PL lacquered polished brass
Face: 1/2" X 7/8"
Inside height: 11/16"
Insert fits into 3/8" X 3/4" hole
Solid brass
Thread escutcheon
With 2 brass pins



1215-PB
3/4" outside height
5/8" inside height
Solid brass
Thread escutcheon

3 keyhole inserts and thread escutcheons



1287-PB polished brass
1287-AB antique brass
2 1/8" wide , 5/8" projection
1 5/8" center to center
Solid brass
Installed with screws
Finger pull with a keyhole



1288-PB polished brass
1288-AB antique brass
2 1/8" wide , 5/8" projection
1 5/8" center to center
Solid brass
Installed with screws
Finger pull without a keyhole



1289-PB polished brass
1289-AB antique brass
1 7/8" wide , 5/8" projection
Solid brass
Arts & Crafts, turn of the century
finger pull with a keyhole

3 finger pulls for drawers and china cabinet doors



Has "key" hole in top area

1701-K-PL
6 3/4" high
7/8" wide
Solid brass
Lacquered

Plate is same size as 1704



Large

1704-PL lacquered brass
1704-AB antique brass
Plate: 7/8" wide , 6 3/4" high
Key bow: 1 1/8" wide
1 1/16" projection
Solid brass



1707-PB polished brass
1707-AB antique brass
Bow: 1 1/8" wide
Projection: 1"
Solid brass
Key knob for cabinet doors

Cabinet door pulls



1285-PB polished brass
1285-AB antique brass
3 3/4" tall
3/4" wide
Cast brass
Small pull with a keyhole
For wardrobes, china cabinets etc.



Small

1705-PL lacquered brass
1705-AB antique brass
Plate: 3/4" wide , 5 1/4" high
Key bow: 1 1/8" wide
1 1/16" projection
Solid brass



1027-AC
 Plate: 1 1/2" X 4"
 Forged brass
 Antique copper finish
 Hammered surface
 Cabinet door pull with keyhole
 With round-head slotted screws

Gustav Stickley cabinet door pulls with keyholes



1029-AC
 Plate: 1 3/8" X 4"
 Forged brass
 Antique copper finish
 Hammered surface
 Cabinet door pull with keyhole
 With round-head slotted screws



1112-PB polished brass
1112-AB antique brass
1112-AC antique copper
1112-BK black
 Plate: 1 1/4" X 3 3/4"
 Cast brass
 Hammered look
 L. & J.G. Stickley cabinet door pull
 Includes diamond-head screws



1290-PB
 Knob 1 1/8" dia. , 3/4" projection
 Oval base: 1 1/2" X 11/16"
 Stamped brass with steel parts
 Push catch with knob
 For door thickness 1/4" to 7/8"



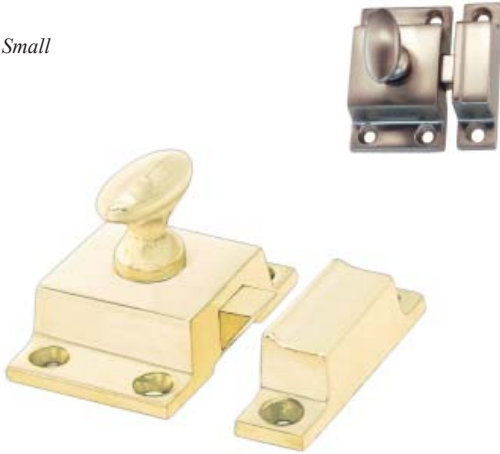
1283-PB
 Base of knob: 1 3/16" X 1 5/16"
 Projection: 13/16"
 Solid brass with steel parts
 Push catch with knob
 For door thickness 1/4" to 3/4"

3 Cabinet door pulls with push button catches
 Spring action push button can be adjusted for different widths of door
 Catch and strike orientation can be set to right, left, up or down



1284 -PB
 Handle: 3 3/8" high , 3/4" wide
 Projection: 3/4"
 Solid brass with steel parts
 Push catch with Handle
 For door thickness 1/2" to 1"

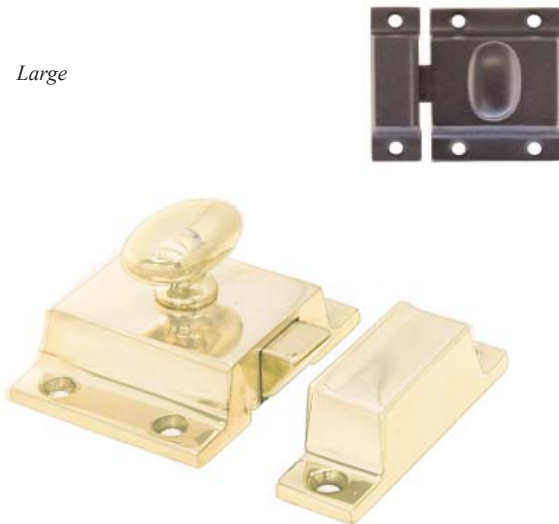
Small



1612-PB polished brass
1612-AB antique brass
1612-OB oil rubbed bronze
1612-PN polished nickel
1612-BN brushed nickel
1612-BC brushed chrome
 Latch: 1 1/8" X 1 3/4"
 Catch: 1/2" X 1 3/4"
Solid brass

Top quality solid brass die cast latches
For cabinet doors

Large



1619-PB polished brass
1619-OB oil rubbed bronze
1619-PN polished nickel
1619-BN brushed nickel
 Latch: 1 5/8" X 2 1/8"
 Catch: 5/8" X 2 1/8"
Solid brass

Small



1617-PB polished brass
1617-AB antique brass
1617-AC antique copper
1617-PN polished nickel
1617-OB oil rubbed bronze
 Latch: 1 1/4" X 1 7/8"
 Catch: 5/8" X 1 7/8"
 Stamped steel

Utility latches for "Country" furniture

Large



1618-PB polished brass
1618-AB antique brass
1618-AC antique copper
1618-PN polished nickel
1618-OB oil rubbed bronze
 Latch: 1 1/2" X 2 1/8"
 Catch: 5/8" X 2 1/8"
 Stamped steel

Small



1610-PB polished brass
1610-AB antique brass
 Latch: 1 3/4" X 1 1/4"
 Catch: 1" X 1 1/4"
Ornate cast brass

Ornate Victorian brass latches

Large



1613-PB polished brass
1613-AB antique brass
 Latch: 2 1/8" X 1 3/8"
 Catch: 1 5/16" X 1 3/8"
Ornate cast brass



6700-PN
Base 1 1/8" wide
Stamped steel
Nickel plated
Elbow Catch



1253-PB
1" knob dia.
Cupboard turn

Smaller knob



1614-PB
2" base dia.
Solid brass
Polished brass finish
Table catch or turn button



1254-PB
1 1/4" knob dia.
Cupboard turn

Larger knob

When installing, gap between the 2 parts of base to be no more than 3/32"



1616-PB polished brass
1616-AB antique brass
1 1/2" base dia.
Solid brass
Turn button with back plates for cabinet doors



1274-PB
1 3/8" dia.
1/4" projection
Ebonized wood and brass
Cupboard turn

Tightly wedged through hole, post turns with knob to open or close cabinet door

For doors, cabinet doors, screens, windows etc.



1615-BK
2" long
Cast iron. Raised.
Painted black (*japanned*)
Utility turn buttons
Sold in pairs

Sold in pairs



1252-PB End Turn
Solid brass stop is 1 3/8" X 1/2"
Stud is 8-32 X 2 3/4" long
Brass plated threaded stud

End turn can be used with any knob from the catalog

3" CC

Small



1331-PB polished brass
1331-PN polished nickel
 3" center to center
 7/8" projection
 Solid brass

Moderne pull in 3 sizes - can be used for drawers (horizontal) or for cabinet doors (vertical)

4" CC

Medium



1333-PB polished brass
1333-PN polished nickel
 4" center to center
 7/8" projection
 Solid brass

4 1/2" CC

Large



1334-PB polished brass
1334-PN polished nickel
 4 1/2" center to center
 7/8" projection
 Solid brass



4" CC



1335-PB polished brass
1335-PN polished nickel
 4" center to center
 5" tall, 7/8" wide
 7/8" projection
 Solid brass
*For cabinet doors (vertical)
 and for drawers (horizontal)*

Art Deco hardware in two finishes:
 polished nickel and polished brass

3 1/2" CC



1332-PB polished brass
1332-PN polished nickel
 3 1/2" center to center
 7/8" projection
 Solid brass

1 1/2" CC



1330-PB polished brass
1330-PN polished nickel
 1 1/2" center to center
 7/8" projection
 Solid brass

1 1/2" CC



1330-PB polished brass
1330-PN polished nickel
 1 1/2" center to center
 7/8" projection
 Solid brass



1336-PB polished brass
1336-PN polished nickel
 1 1/4" X 7/8"
 7/8" projection
 Solid brass



Oblong octagonal knob



1337-PB polished brass
1337-PN polished nickel
 1 3/16" dia.
 1 1/8" projection
 Solid brass

Round knob with rings



Visit our website at
www.timelyhardware.com
 to see all products in all colors
 and all finishes

Art Deco hook



1906-PB polished brass
1906-PN polished nickel
 Height: 2 1/2"
 2 3/8" projection
 Base: 1" X 1 5/8"
 Solid brass

Flush mount



1580-PB polished brass
1580-BN brushed nickel
1580-PN polished nickel
1580-OB oil rubbed bronze
 2 1/4" X 1 1/2"
 Solid brass
Flush mounting

Art Deco cabinet hinges

Offset



1581-PB polished brass
1581-BN brushed nickel
1581-PN polished nickel
1581-OB oil rubbed bronze
 2 1/4" X 1 1/2"
 3/8" offset
 Solid brass



Small

- 1428-PB** polished brass
 - 1428-AB** antique brass
 - 1428-PL** lacquered brass
 - 1428-PN** polished nickel
 - 1428-BN** brushed nickel
 - 1428-OB** oil rubbed bronze
- 3 3/16" overall length
 3" center to center
 Forged brass



Large

- 1429-PB** polished brass
 - 1429-AB** antique brass
 - 1429-PL** lacquered brass
 - 1429-PN** polished nickel
 - 1429-BN** brushed nickel
 - 1429-OB** oil rubbed bronze
- 4 1/2" overall length
 4" center to center
 Forged brass



Small

- 1432-PB** polished brass
 - 1432-PL** lacquered brass
 - 1432-PN** polished nickel
 - 1432-BN** brushed nickel
 - 1432-OB** oil rubbed bronze
- 1" dia.
 1" projection



Large

- 1433-PB** polished brass
 - 1433-PL** lacquered brass
 - 1433-PN** polished nickel
 - 1433-BN** brushed nickel
 - 1433-OB** oil rubbed bronze
- 1 1/4" dia.
 1" projection



- 1434-PB** polished brass
 - 1434-PL** lacquered brass
 - 1434-PN** polished nickel
 - 1434-BN** brushed nickel
 - 1434-OB** oil rubbed bronze
- 1 1/4" dia.
 1" projection



Small

- 1435-PB** polished brass
 - 1435-PL** lacquered brass
 - 1435-PN** polished nickel
 - 1435-BN** brushed nickel
 - 1435-OB** oil rubbed bronze
- 1" dia.
 1 1/16" projection



Large

- 1436-PB** polished brass
 - 1436-PL** lacquered brass
 - 1436-PN** polished nickel
 - 1436-BN** brushed nickel
 - 1436-OB** oil rubbed bronze
- 1 1/4" dia.
 1 3/16" projection

Contemporary knobs & pulls
 Classic elegance
 Solid brass - In 5 finishes



Small

- 1438-PB** polished brass
 - 1438-PL** lacquered brass
 - 1438-PN** polished nickel
 - 1438-BN** brushed nickel
 - 1438-OB** oil rubbed bronze
- 1" dia.
 1 1/8" projection



Large

- 1439-PB** polished brass
 - 1439-PL** lacquered brass
 - 1439-PN** polished nickel
 - 1439-BN** brushed nickel
 - 1439-OB** oil rubbed bronze
- 1 1/4" dia.
 1 3/16" projection



- 1437-PB** polished brass
 - 1437-PL** lacquered brass
 - 1437-PN** polished nickel
 - 1437-BN** brushed nickel
 - 1437-OB** oil rubbed bronze
- 1 3/4" wide
 1 3/8" projection



Med.



- 1425-PB** polished brass
- 1425-PL** lacquered brass
- 1425-PN** polished nickel
- 1425-BN** brushed nickel
- 1425-OB** oil rubbed bronze
- 4 3/4" overall length
- 3" center to center

Large



- 1426-PB** polished brass
- 1426-PL** lacquered brass
- 1426-PN** polished nickel
- 1426-BN** brushed nickel
- 1426-OB** oil rubbed bronze
- 6 3/4" overall length
- 5" center to center
- Appliance pull*

Extra Large



- 1424-PB** polished brass
- 1424-PN** polished nickel
- 1424-BN** brushed nickel
- 1424-OB** oil rubbed bronze
- 8 7/8" overall length
- 7" center to center
- Appliance pull*

3 sizes: 3", 5", 7" center to center



Contemporary pulls

Classic elegance
Solid brass - In 5 finishes
For drawers and cabinet doors



- 1427-PB** polished brass
- 1427-PL** lacquered brass
- 1427-PN** polished nickel
- 1427-BN** brushed nickel
- 1427-OB** oil rubbed bronze
- 5 1/2" overall length
- 3 3/4" center to center



1016-AC antique copper
 Plate: 3 3/4" x 2"
 Forged brass
 Antique copper finish
 Hammered surface
 Includes pyramid screws



1015-AC antique copper
 Plate: 3 3/8" X 1 13/16"
 Forged brass
 Antique copper finish
 Hammered surface
 with oval ring
 Includes pyramid screws



1018-AC antique copper
 Plate: 2 3/4" X 1 3/8"
 Forged brass
 Antique copper finish
 Hammered surface
 Includes round-head slotted screws

Gustav Stickley drawer pulls



1111-PB polished brass
1111-AB antique brass
1111-AC antique copper
1111-BK black
 Plate: 3 1/8" X 1 1/2"
 Cast brass
 Hammered surface
 L. & J.G. Stickley drawer pull
 Includes diamond-head screws



1112-PB polished brass
1112-AB antique brass
1112-AC antique copper
1112-BK black
 Plate: 1 1/4" X 3 3/4"
 Cast brass
 Hammered surface
 L. & J.G. Stickley cabinet door pull
 Includes diamond-head screws

L & J G Stickley pulls

Without keyhole

With keyhole



1017-AC antique copper
 Plate: 1 1/2" X 4"
 Forged brass
 Antique copper finish
 Hammered surface
 Includes pyramid screws



1027-AC antique copper
 Plate: 1 1/2" X 4"
 Forged brass
 Antique copper finish
 Hammered surface
 Includes round-head slotted screws

Gustav Stickley cabinet door pulls

Without keyhole

With keyhole



1019-AC antique copper
 Plate: 1 3/8" X 4"
 Forged brass
 Antique copper finish
 Hammered surface
 Includes round-head slotted screws



1029-AC antique copper
 Plate: 1 3/8" X 4"
 Forged brass
 Antique copper finish
 Hammered surface
 Includes round-head slotted screws



3502-AC antique copper
3502-PW pewter
 Plate: 1 3/4" X 3 1/2"
 Zinc alloy die cast
 Hammered surface
 Single post
 Cabinet door pull

*Sold without screws
 (They take 8-32 thread screws)*



3503-AC antique copper
3503-PW pewter
3503-BK black
 Plate: 3 1/2" X 1 3/4"
 3" center to center
 Zinc alloy die cast
 Hammered surface
 Drawer pull

*Distressed
 Black*

*Flat
 Black*



6016 antique brass
6026 pewter
6036 flat black
6046 distressed black
 1" X 3 3/4"
 2 vertical posts with 2 1/4" CC
 Zinc alloy die cast
 Cabinet door pull

Smaller



6017 antique brass
6027 pewter
6037 flat black
6047 distressed black
 2 3/4" X 1 3/4"
 1-1/8" vertical CC
 Zinc alloy die cast
 Drawer pull

Larger



6018 antique brass
6028 pewter
6038 flat black
6048 distressed black
 3 3/4" X 2"
 3" center to center
 Zinc alloy die cast
 Drawer pull



1265-PB
 Plate: 2 1/4" X 1 1/4"
 1 1/4" ring dia.
 Solid brass
 Drawer Pull



1264-PB
 Plate: 1" X 3 1/2"
 1 1/4" ring dia.
 Solid brass
 Cabinet Door Pull
 with keyhole



1289-PB
 1 7/8" wide
 5/8" projection
 Solid brass
 Finger Pull
 with keyhole

**Arts & Crafts style pulls
 and keyhole covers**



1214-PB
 1 15/16" X 7/8"
 Thick stamped brass
 Diamond-shaped keyhole plate



1216-PB
 1 15/16" X 7/8"
 Thick stamped brass
 Rectangular keyhole plate



1023-AC
 1 5/8" X 1"
 Forged brass
 Antique copper finish
 Rectangular keyhole plate



LARGE BRASS HANDLES IN THE ARTS & CRAFTS STYLE
 Classic elegance for the home
 3 sizes - 5 finishes
 Great-looking and sturdy
 Appliance pulls
 For drawers, cabinet doors



4" center



- 3201-PB** polished brass
- 3201-AB** antique brass
- 3201-PN** polished nickel
- 3201-BN** brushed nickel
- 3201-OB** oil rubbed bronze

Center to center: 4"
 Overall length: 4 7/8"
 Width of handle: 3/8" X 3/8"
 Projection: 1 1/4", clearance: 7/8"
 Bases: 7/8" X 7/8"
 Solid brass



Large handle



- 3203-PB** polished brass
- 3203-AB** antique brass
- 3203-PN** polished nickel
- 3203-BN** brushed nickel
- 3203-OB** oil rubbed bronze

Center to center: 8"
 Overall length: 8 7/8"
 Width: 3/8" X 3/8"
 Projection: 1 3/8", clearance: 1"
 Bases: 7/8" X 7/8"
 Solid brass



12" center

Extra large handle



- 3205-PB** polished brass
- 3205-AB** antique brass
- 3205-PN** polished nickel
- 3205-BN** brushed nickel
- 3205-OB** oil rubbed bronze

Center to center: 12"
 Overall length: 12 7/8"
 Width: 3/8" X 3/8"
 Projection: 1 3/8", clearance: 1"
 Bases: 7/8" X 7/8"
 Solid brass



1147-PB polished brass
1147-OB oil rubbed bronze
1147-PN polished nickel
 2" center to center
 Solid brass
Little pull for small drawers, cubbyholes, etc.



1113-PB polished brass
1113-BN brushed nickel
1113-PN polished nickel
1113-OB oil rubbed bronze
 3" center to center
 Solid brass



Solid brass "square" handles

Can be used horizontally for drawers or vertically for cabinet doors



1148-PB polished brass
1148-BN brushed nickel
1148-PN polished nickel
1148-OB oil rubbed bronze
 3 1/2" center to center
 Solid brass



1114-PB polished brass
1114-BN brushed nickel
1114-PN polished nickel
1114-OB oil rubbed bronze
 4" center to center
 Solid brass



1553-AC
 Leaf 2" high
 Steel
 Ant. copper finish
With ball tips

Smaller



1556-AC
 Leaf 2" high
 Steel
 Ant. copper finish
With steeple tips

Non-mortise hinges
 Sold in pairs



1554-AC
 Leaf 2 1/2" high
 Steel
 Ant. copper finish
With ball tips

Larger



1557-AC
 Leaf 2 1/2" high
 Steel
 Ant. copper finish
With steeple tips



1020-AC antique copper finish
 1 3/16" X 1 3/16"
 Base: 13/16" X 13/16"
 15/16" projection
 Forged brass
 Antique copper finish
 Hammered surface
Pyramid Knob



Small



1266-PB polished brass
 3/4" X 3/4"
 Heavy stamped brass
Square back plate
 For use with knob #1261
 or just as a square plate

1261-PB polished brass
 3/4" square
 3/4" projection
 Solid brass
Pyramid Knob

Medium



1262-PB polished brass
1262-BN brushed nickel
1262-PN polished nickel
1262-OB oil rubbed bronze
 1" square
 7/8" projection
 Solid brass
Pyramid Knob

Large



1263-PB polished brass
1263-BN brushed nickel
1263-PN polished nickel
1263-OB oil rubbed bronze
 1 1/4" square
 1" projection
 Solid brass
Pyramid Knob

Small



4200
 3/4" square
 13/16" project.
 Oak

Medium



4201 oak
4201-BK black
4201-C cherry
4201-WI walnut
 1 1/4" square
 7/8" projection
 Oak and other woods

Large



4203
 1 3/4" square
 1 1/8" projection
 Oak

Oak pyramid knobs and handle



4205
 3" center to center
 4 1/2" X 1 3/8"
 1 1/8" projection
 Oak



9908
 Base: 1 3/4" X 3 1/4"
 4" projection
 Iron
 Painted dark brown/black
 3-pronged Gustav Stickley
 hall tree hook



9907
 5 1/2" tall
 3 1/2" projection
 Base: 1 1/16" X 2"
 Cast iron, black



1362
 For 1/2" square screw head
 Steel, painted black
 Wrench for #1014-AC
 pyramid screws
 shown on right



1902-PB polished brass
1902-BN brushed nickel
1902-PN polished nickel
1902-OB oil rubbed bronze
 5 1/2" tall
 3 1/4" projection
 Base: 9/16" X 2 1/4"
 Solid brass

Round head



1012-AC Antique copper finish
 #8 X 1/2" long
 Round-head slotted steel wood screw
 Sold in bags of 20

Screws for Mission / Arts & Crafts hardware

Square head



1013-AC Antique copper finish
 Head: 5/16" X 5/16"
 3/4" long stem
 Iron
 Square-head screw - Sold each

Pyramid head



1014-AC Antique copper finish
 Head: 1/2" X 1/2"
 1/2" long stem
 Iron
 Pyramid screw - Sold each



1178-PB polished brass
1178-AB antique brass
 Stem 1 1/8" long
 Steel eyelets & nuts
Standard eyelet posts for drop handles.
Sold in pairs



1187-PB polished brass
1187-AB antique brass
 7/8" projection
 Solid brass
Ornate posts for Victorian pulls can be used with any back plate or drop handle in the catalog
Sold in pairs



1188-PB polished brass
1188-PN polished nickel
 5/8" projection
 Solid brass
Square posts for Victorian Eastlake pulls
Sold in pairs



1198-PB
 3/4" projection
 Shanks tapped for 8-32 thread
 Solid brass
Fit the drawer pulls on pages 63, 66, 67. Posts hold handle 3/4" in front of plate for easier grasp. Screws included.
Sold in pairs

Eyelets and posts



1011-PB
 8-32 thread
 1 1/8" long
 Steel, brass plated
Studs and nuts
Sold in pairs



Finishing Washers

1179-PB polished brass
1179-AB antique brass
 15/16" dia.
 Stamped brass
Standard back plate for knobs and bail sets - sold in pairs



1189-PB polished brass
1189-AB antique brass
 1 1/8" dia.
 Stamped brass
"Fancy" back plate for bail sets, ornate knobs, etc. - sold in pairs



1006-PB polished brass
1006-PN polished nickel
1006-AB antique brass
1006-OB oil rubbed bronze
 #5 X 5/8" flat head slotted brass wood screws
Sold in bags of 20



1007-PB polished brass
1007-PN polished nickel
1007-AB antique brass
1007-OB oil rubbed bronze
 #7 X 1" flat-head slotted brass wood screws
Sold in bags of 20



1008-PB polished brass
1008-PN polished nickel
1008-AB antique brass
1008-OB oil rubbed bronze
 #7 X 1" flat head Phillips brass wood screws
Sold in bags of 20



1009-PB polished brass
1009-PN polished nickel
1009-AB antique brass
1009-OB oil rubbed bronze
 #5 X 5/8" round head slotted brass wood screws
Sold in bags of 20



1010-PB polished brass
1010-AB antique brass
1010-PN polished nickel
1010-OB oil rubbed bronze
 #5 X 5/8" oval head slotted brass wood screws
Sold in bags of 20



1013-AC antique copper
 Head: 5/16" X 5/16"
 Threaded part: 3/4" long
 Iron, antique copper finish
Square head Screws



1012-AC antique copper
 1/2" long
 Round head slotted steel screws
 Antique copper finish
Sold in bags of 20

Screws for Mission / Arts & Crafts hardware



1014-AC antique copper
 Head: 1/2" X 1/2"
 Threaded part: 1/2" long
 Iron, antique copper finish
Pyramid Screws



5291-PN nickel plated 2 1/2" long
5292-PB brass plated 2 1/2" long
5293-PN nickel plated 3" long
5294-PB brass plated 3" long
 Steel bolt & nut
Bolts for Glass Knobs & Handles

Authentic pan-head screws for glass knobs and glass handles come with square nuts. The heads of the screws are smooth. The upper part of the stem is threadless for better appearance.



5296-PN-1.00 nickel plated
5296-PN-1.25 nickel plated
5296-PN-1.50 nickel plated
5296-PB-1.00 brass plated
5296-PB-1.25 brass plated
5296-PB-1.50 brass plated
 Post: 7/32" dia., 7/8" long
 Screw length: 1" or 1.25" or 1.50"
 Steel post and screw

Posts & Screws: an alternative way to install glass knobs and handles. There are 3 lengths of screws corresponding to the sizes of the knobs. Please specify size when ordering (for handles order 1.25" screws).

Website: www.timelyhardware.com



1361
 Overall length 6 1/8"
 3/8" dia., Shank 5 3/8" long
 Square head 1/2" X 1/2"
 Iron
Bed bolt
 Includes a 3/4" square steel nut



1362
 For 1/2" square screw head
 4" long handle
 3" long square tube
 Steel, painted black
Bed Bolt Wrench for #1361 bed bolt shown above

Also fits to turn #1014 pyramid screws, shown on the page before



Larger

1357-PB polished brass
1357-AB antique brass
 2" dia.
 2 1/2" high
 3/8" thread dia., 16 TPI
 Solid brass

Brass bed finials in 2 sizes



Smaller

1358-PB polished brass
1358-AB antique brass
 1 3/4" dia.
 2 1/4" high
 3/8" thread dia., 16 TPI
 Solid brass

Bed hardware and accessories



1359-PB polished brass
1359-AB antique brass
 1 3/4" dia., 1/2" high
 Stamped brass
Bed finial washer goes under the bed finials shown above



1360-PB polished brass
1360-AB antique brass
 1 5/8" dia.,
 Cast brass
Bed Bolt Cover
 Available in 2 finishes

Standard latch



1605-PB polished brass
1605-PN polished nickel
 Housing: 1 1/8" X 2 1/4"
 Includes centered catches
 For right- or left-hand doors

"H" latch



1597-PB polished brass
1597-PN polished nickel
 Housing: 1 1/8" X 2 1/4"
 Includes centered catches
 For right- or left-hand doors

Oval latch



1607-PB polished brass
1607-PN polished nickel
 Housing: 1" X 2"
 Includes centered catches
 For right- or left-hand doors

Each latch comes with 1 flush strike and 1 offset strike as shown.
 Catches are centered for use with both right and left doors.

All solid brass



Flush mount



3/8" offset mount

1623-PB Flush polished brass
1623-PN Flush polished nickel
1624-PB Offset polished brass
1624-PN Offset polished nickel
 Base: 5/16" X 1 1/2"
 Centered catches for Hoosier latches
 Enable use with either Right Hand or Left Hand door.

Hoosier cabinet strikes

Ring latches



1604-PB polished brass
1604-PN polished nickel
 Housing: 1 1/4" X 2"
 Left Hand



1603-PB polished brass
1603-PN polished nickel
 Housing: 1 1/4" X 2"
 Right Hand

"S" latches



1595-PB polished brass
1595-PN polished nickel
 Housing: 1 1/8" X 2 1/4"
 Left Hand



1596-PB polished brass
1596-PN polished nickel
 Housing: 1 1/8" X 2 1/4"
 Right Hand

All solid brass



Lever latches
 Flush mount

Base dia.: 1 9/16"

1641-PB polished brass
1641-PN polished nickel
 Left Hand



1642-PB polished brass
1642-PN polished nickel
 Right Hand



Lever latches
 3/8" Offset mount

Base dia.: 1 9/16"

1643-PB polished brass
1643-PN polished nickel
 Left Hand



1644-PB polished brass
1644-PN polished nickel
 Right Hand

Offset depends on which leaf is on frame and which on door



1626-PB polished brass
1626-PN polished nickel
 3 1/4" X 1 1/2"
 2 offsets: 3/8" & 1/2"
 Solid brass
Wraparound hinge



1627-PB polished brass
1627-PN polished nickel
 2" X 2"
 3/8" offset
 Solid brass
Reversed pad



1628-PB polished brass
1628-PN polished nickel
 2" X 1 1/2"
 3/8" offset
 Solid brass

All solid brass



1591-PB polished brass
1591-PN polished nickel
 2" X 1 3/4"
 3/8" offset
Reversed pad



1592-PB polished brass
1592-PN polished nickel
 1 7/8" X 1 3/4"
 3/8" offset



1600-PB polished brass
1600-PN polished nickel
 2 1/4" X 1 5/8"
 3/8" offset



1594-PB polished brass
1594-PN polished nickel
 2 1/2" X 1 1/2"
 3/8" offset



1593-PB polished brass
1593-PN polished nickel
 1 3/4" X 1 1/4"
 3/8" offset
Scalloped

All solid brass



1599-PB polished brass
1599-PN polished nickel
 2 3/8" X 1 1/2"
 3/8" offset
Reversed pad

Small



1601-PB polished brass
1601-PN polished nickel
 1 5/8" X 1 1/2"
 3/8" offset

Large



1602-PB polished brass
1602-PN polished nickel
 1 3/4" X 2"
 3/8" offset

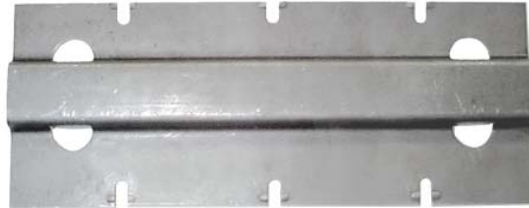


For "Sellers" cabinets
and other brands



6601
11" long, 2 1/4" high
Side clearance: 3/8"
Heavy gauge steel

For "Hoosier" cabinets
and other brands



6602
10 1/2" X 4 1/2"
Side clearance: 1/4"
Heavy gauge steel

Side brackets for Hoosier kitchen cabinets

Brackets used to mount upper unit onto base of cabinet, making room for work-top to slide in between.
Side clearance is the distance a work-top can exceed the cabinet's side.
While typical of some brands, brackets can be used on many others.

For "Boone", "McDougall"
and other cabinet brands



6603
10 3/4" long, 2 3/4" high
Side clearance: 3/4"
Heavy gauge steel

Sold in complementary
pairs: left- & right-hand

For "Hoosier" cabinets
and other brands



6604
10 5/8" X 3 3/4"
Side clearance: 3/4"
Heavy gauge steel
Sold in pairs

For "Wilson" cabinets
and other brands



6605
11" long, 2 3/16" high
Side clearance: 1 3/8"
Heavy gauge steel
*Larger bracket for use on cabinets
with wider porcelain work top*

Premium Hoosier bin pull



1163-PB polished brass
1163-PN polished nickel
 3" center to center
 3 1/2" wide
 Heavy-stamped brass



1160-PB polished brass
 3" center to center
 3 1/2" wide
 Stamped brass
 With beveled edges

Larger



1130-PB polished brass
1130-PN polished nickel
 3" center to center
 3 5/8" X 3/4"
 Cast brass

Smaller



1131-PB polished brass
1131-PN polished nickel
 2 3/8" center to center
 3" long, 5/8" projection
 Cast brass



1162-PB polished brass
1162-PN polished nickel
 2 7/8" center to center
 3 1/2" wide, 1" high
 Stamped brass



1385-PB polished brass
1385-PN polished nickel
 1 1/4" X 1 1/4"
 Stamped brass
 Hoosier cabinet leg skirt



Fits snugly at base of cabinet leg as shown above



5202 clear
5252 Depression green
 1 1/4" dia.
 Glass
 Hexagonal glass knob
 With 2-1/2" long bolt

1 1/4" dia.



5297 Hex Glass Knob
 1 1/4" dia.
 Glass shank 1/2" dia.
 Clear glass
 Includes brass sleeve



5297-F Sleeve for Glass Knob
 5/8" long, 1/2" dia.
 Stamped brass
 Used to install glass knob above
 Can be ordered separately



1245-PB polished brass
1245-PN polished nickel
 1 1/8" dia.
 3/4" high
 Stamped brass



9140
4 1/4" wide
2 7/8" center to center
Cast iron, black

Utility drawer / bin pulls



9141
3 3/8" wide
2 3/4" center to center
Cast iron, black



9139
3 1/2" wide
2 15/16" center to center
Cast iron, black



1143-BK
3 3/4" wide
1 1/2" high
3 1/4" center to center
3/4" projection
Stamped steel, black



9123 Handle
3" center to center
3 1/2" overall length
Cast iron, flat black
*For drawers, cabinet doors,
screen doors etc.*



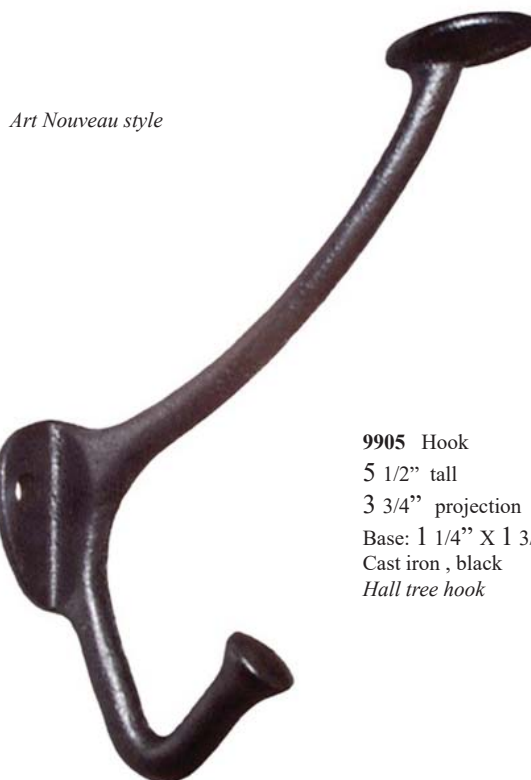
9252
1 3/16" dia.
1 3/16" projection
Iron
Painted black



9901 Hook
4 1/2" high
2 3/4" projection
Base: 1 1/8" X 2 1/8"
Cast iron , black
Hall tree hook



9565 Hinge
2" X 2 3/8"
Steel , black
*Flush mount
Butterfly hinge*



Art Nouveau style

9905 Hook
5 1/2" tall
3 3/4" projection
Base: 1 1/4" X 1 3/8"
Cast iron , black
Hall tree hook



"Acorn" hooks

9903 Hook
3 1/2" high
2 5/8" projection
Base: 1 3/8" X 1"
Cast iron, black
3-pronged utility hook



*Gustav Stickley
3-pronged
hall tree hook*

9908
Base: 1 3/4" X 3 1/4"
4" projection
Iron
Painted dark brown/black
Arts & Crafts hook

Cast iron hooks

Arts & Crafts style

"Schoolhouse" hook



9904 Hook
3" high
3 1/8" projection
Base: 1 3/4" X 2"
Cast iron, black



9907 Hook
5 1/2" high
3 1/2" projection
Base: 1 1/16" X 2"
Cast iron, black
Costumer hook

3310-AB antique brass
3311-AC antique copper
 Height: 5"
 3 1/2" projection
 Base: 7/16" X 2 3/8"
 Screws distance 1 13/16"
 Zinc alloy die cast
Costumer hook



1903-PB
 Width: 5 1/4"
 3" projection
 1 1/4" collar dia.
 Solid brass
Hall tree hook with 4 prongs

Installed from the back with a stud & nut

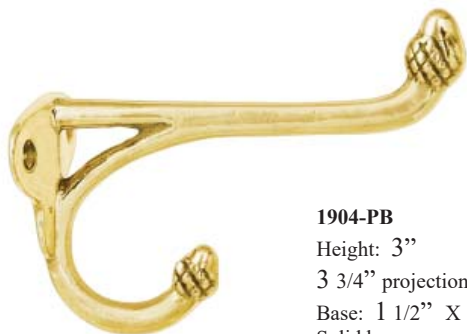
1902-PB polished brass
1902-PN polished nickel
1902-BN brushed nickel
1902-OB oil rubbed bronze
 Height: 5 1/2"
 3 1/4" projection
 Base: 9/16" X 2 1/4"
 Solid brass



Arts & Crafts style

Art Nouveau style

1905-PB
 5 1/4" high
 3 3/4" projection
 Base: 1 3/8" X 1 1/2"
 Solid brass



1904-PB
 Height: 3"
 3 3/4" projection
 Base: 1 1/2" X 1 1/2"
 Solid brass
Victorian "acorn" hook



1901-PB
 Height: 4 1/2"
 3" projection
 Base: 1 1/8" X 2 1/8"
 Solid brass
Hall tree hook



1900-PB
 1 3/8" projection
 Base: 3/4" X 1 1/2"
 Solid brass
 "Wardrobe" hook



1908-PB polished brass
1908-PN polished nickel
 1 5/8" projection
 Base: 1 1/8" X 1 1/4"
 Solid brass
 Household hook

For hall, bathroom, kitchen, etc.



1909-PB polished brass
1909-PN polished nickel
 3 1/8" projection
 Base: 1 3/4" X 1 3/4"
 Solid brass
 Household hook with 2 prongs



1906-PB polished brass
1906-PN polished nickel
 Height: 2 1/2"
 2 3/8" projection
 Base: 1" X 1 5/8"
 Solid brass

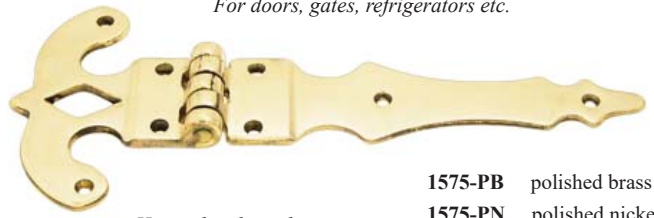
Art Deco style



Bottle Opener

1515-PB polished brass
1515-BN brushed nickel
1515-PN polished nickel
1515-AB antique brass
 2 1/2" X 3"
 Solid brass
 For kitchens, ice boxes, etc.

For doors, gates, refrigerators etc.



Heavy duty large hinge

1575-PB polished brass
1575-PN polished nickel
 11" long, 5" at widest
 Solid brass
 Cast, highly polished



1500-PB polished brass
1500-PL lacquered brass
1500-PN polished nickel
1500-AB antique brass
 3/8" offset
 3 1/2" long, 1 7/8" wide
 Solid brass



1502-PB polished brass
1502-PN polished nickel
 4 1/8" long, 1 5/8" wide
 3/8" offset
 Heavy gauge stamped brass

Ice Box or refrigerator hardware



Left Hand
 ice box latch
 and strike

1506-PB polished brass
1506-PL lacquered brass
1506-PN polished nickel
1506-AB antique brass
 3/8" offset
 Base: 2 1/4" high
 Lever: 3 1/4" long
 Solid brass
 For left hand door



Right Hand
 ice box latch
 and strike

1505-PB polished brass
1505-PL lacquered brass
1505-PN polished nickel
1505-AB antique brass
 3/8" offset
 Base: 2 1/4" high
 Lever: 3 1/4" long
 Solid brass
 For right hand door

Ice Box Name Plate



1510-PB polished brass
1510-PL lacquered brass
1510-PN polished nickel
1510-AB antique brass
 3 1/2" X 1 1/2"
 Solid brass



UPC BAR-CODE LABELS

Would UPC bar-code labels on your products help you with your operation at your point of sale? We can put our UPC bar-code labels on products for you. Please contact us for more information.



6100
5 1/2" wide
3 1/2" center to center
Zinc diecast & Bakelite



6103
5 1/8" wide
4 1/2" center to center
Zinc diecast & Bakelite



6101
6" wide
4 1/4" center to center
Zinc diecast & Bakelite

*Bakelite and die-cast metal pulls and knob
for waterfall, Depression, 1930's furniture, etc.
Metal parts in antique brass finish*



6102
4 3/4" wide
4" center to center
Zinc diecast & Bakelite



6104
2" dia.
3/4" projection
Zinc diecast & Bakelite

MORRIS CHAIR HARDWARE



- 1348-PB** polished brass
- 1348-AB** antique brass
- 1348-OB** oil rubbed bronze

26 1/4" long (between balls)
 1" ball dia.
 3/8" rod dia.
 Brass balls and brass rod
Balls are attached with hex-drive set-screw so the length of the rod can be shortened as needed.
Allen key included.



Morris chair rod

Morris chair hardware
 Authentic racks and rods for reclining armchairs

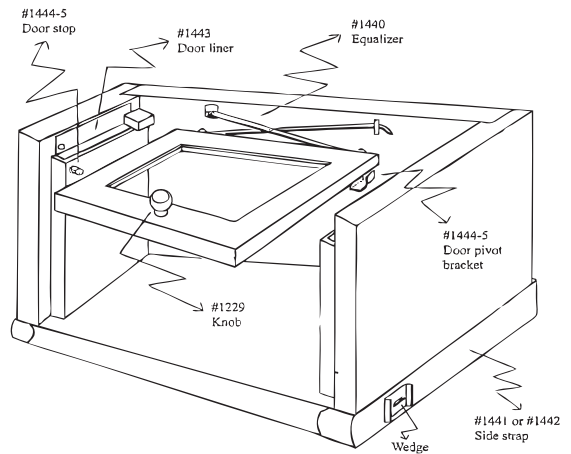


- 1349-PB** polished brass
- 1349-AB** antique brass
- 1349-OB** oil rubbed bronze

6 1/2" long (from tip to tip)
 3/4" wide
 Brass plated cast iron
 Morris chair rack with slots for 4 leaning positions

Sold in pairs

Morris chair racks
 Sold in pairs



Lawyer/Barrister
 Stacking Bookcase

Hardware usage plan

Hardware shown on next page

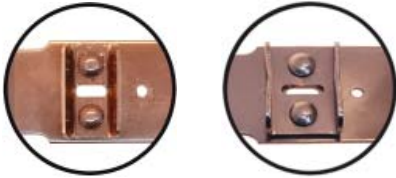


1440-PS
 24" long , 7/16" wide
 Polished steel
Bookcase Equalizer
 comes with fasteners as shown

Hardware for stacking bookcases with retractable glass doors

*All parts, with their fasteners, needed to restore a section
 For Globe Wernicke or Macy's traditional lawyers' bookcases*

17-1/2" long



Small interlocking brackets attached to straps enable connecting bookcases side by side
 The little wedges are installed in the slots

1442-AB
 17 1/2" long , 1" wide
 Steel, antique brass finish
Straps for the deepest bookcases made
 Steel wedges and brass nails for installation are included
 Sold in pairs

Bookcase Side Straps

Straps, or bands, can be cut to size as needed

11-1/2" long



1229-PB polished brass
1229-PN polished nickel
 5/8" dia. , 9/16" high
 Solid brass
Bookcase Knob



1441-AB
 11 1/2" long , 1" wide
 Steel, antique brass finish
Most commonly used bookcase straps
 Steel wedges and brass nails for installation are included
 Sold in pairs

Other bookcase knobs shown on page 80



1445-AB
 Steel brackets with antique brass finish
 Steel bushing with 1" long screw
Bookcase Door Stops and pivot brackets
 Sold in pairs (unit is as shown)

*Brackets installed on door, stops installed on frame.
 When door is pulled out, brackets pivot on stops until door is horizontal and can be pushed inside bookcase section.*



Liner for smoother door movement

1443-ZP
 10 1/2" long , 1" high , base 1/4"
 Steel , zinc plated
Bookcase door liners
 L-shaped pieces can be cut to length
 Sold in pairs



Stem and plate casters



1373-PB polished brass
1373-AB antique brass
1373-PN polished nickel
 1 1/4" brass wheel
 1 1/8" plate dia.
 Brass horn and plate

1371-PB polished brass
1371-AB antique brass
1371-PN polished nickel
 1" brass wheel
 1 1/8" plate dia.
 Brass horn and plate



Stem casters



Smallest brass caster

1370-PB polished brass
1370-AB antique brass
 1" brass wheel
 Brass horn

1369-PB polished brass
1369-AB antique brass
 3/4" brass wheel
 Brass horn
Stem caster



Round cup casters



1374-PB polished brass
1374-AB antique brass
1374-PN polished nickel
 1 1/4" brass wheel
 1 1/4" top of socket inner dia.
 Brass horn and socket

1372-PB polished brass
1372-AB antique brass
1372-PN polished nickel
 1" brass wheel
 1" top of socket inner dia.
 Brass horn and socket

Philadelphia pattern forged Solid brass casters

With 1 1/4" drive screw stems

Deep socket casters



Square cup casters



1389-PB polished brass
1389-AB antique brass
1389-PN polished nickel
 1 1/4" brass wheel
 1 1/4" top of socket opening
 Brass horn and socket

1388-PB polished brass
1388-AB antique brass
 1" brass wheel
 1" top of socket opening
 Brass horn and socket



Porcelain Wheel



1366-PB
 1" porcelain wheel
 Brass horn
Stem caster

1367-PB
 1" porcelain wheel
 1 1/8" plate dia.
 Brass horn and plate
Stem and plate caster



1381-PB polished brass
1381-AB antique brass
1381-PN polished nickel
 1" brass wheel
 1 1/8" plate dia.
 Brass horn and plate
Stem and plate caster
English pattern

English pattern



1384-PB polished brass
1384-AB antique brass
 1 3/8" brass wheel
 1 1/8" plate dia.
 Brass horn and plate
Stem and plate caster
English pattern



1382-PB polished brass
1382-AB antique brass
 3/4" brass wheel
 7/8" plate dia.
 Brass horn and plate

19th century plate casters with long pivots



1383-PB polished brass
1383-AB antique brass
 1" brass wheel
 1 1/8" plate dia.
 Brass horn and plate

Small



1386-PB polished brass
1386-AB antique brass
 15/16" inner dia.
 Solid brass
Plain caster ring



1387-PB polished brass
1387-AB antique brass
 1 3/16" inner dia.
 Solid brass
Beaded caster ring

Large

2 Round caster rings (shallow sockets) in 2 finishes

The ring sits over the caster's plate and surrounds the base of the furniture leg

#1382 caster shown with #1386 ring



#1371 caster shown with #1387 ring



4901
 Base dia.: 2 1/2"
 Opening dia.: 1 5/8"
 Oak
Caster cup

Hardwood caster cup to protect the floor
For casters with a diameter of up to 2"



1391
 1 1/4" wheel dia.
 Steel assembly with
 hardwood wheel
 Includes 2 sockets
Sold in pairs

Small



1392
 1 1/4" wheel dia.
 Steel assembly with
 hardwood wheel
 Includes 2 sockets
Ball bearing casters
Sold in pairs

Casters with hardwood wheels
 Wheels with dark color



1393
 1 5/8" wheel dia.
 Steel assembly with
 hardwood wheel
 Includes 2 sockets
Sold in pairs

Medium



1394
 1 5/8" wheel dia.
 Steel assembly with
 hardwood wheel
 Includes 2 sockets
Ball bearing casters
Sold in pairs



1395
 2" wheel dia.
 Steel assembly with
 hardwood wheel
 Includes 2 sockets
Sold in pairs

Large



1396
 2" wheel dia.
 Steel assembly with
 hardwood wheel
 Includes 2 sockets
Ball bearing casters
Sold in pairs

Grip-neck casters with steel horns and hardwood wheels
 Steel stem 1" long, 5/16" in diameter

#1392, #1394 and #1396 have ball bearings for enhanced swiveling

Large

Black
 rubber
 wheel



1398-BK
 2" wheel dia.
 Steel assembly in
 antique brass finish
 Includes 1 socket
*Ball bearing caster with
 black rubber wheel*
Sold each



Grip Neck Sockets

1399-ZP

1 1/8" tall
 fit in a hole with 3/8" diameter
 Steel, zinc plated
Extra sockets for all the casters above
Sold in pairs

Small



1375-PB polished brass
1375-AB antique brass
 7/8" wide
 7/8" high
 1 1/4" long
 Stamped brass

Medium



1376-PB polished brass
1376-AB antique brass
 1 1/4" wide
 1 1/4" high
 2" long
 Stamped brass

Large



1377-PB polished brass
1377-AB antique brass
 1 5/8" wide
 1 1/2" high
 2 3/4" long
 Stamped brass

Duncan Phyfe lion claw foot toe caps

Medium



1379-PL
 1 1/2" wide
 1 1/2" high
 2" long
 Stamped brass
 Lacquered brass
 Plain toe cap

Large



1380-PL
 1 3/4" wide
 1 5/8" high
 2 1/8" long
 Stamped brass
 Lacquered brass
 Plain toe cap

Plain lacquered toe caps



1385-PB polished brass
1385-PN polished nickel
 1 1/4" X 1 1/4"
 Stamped brass
 Hoosier cabinet leg skirt

Sold in pairs
 as shown

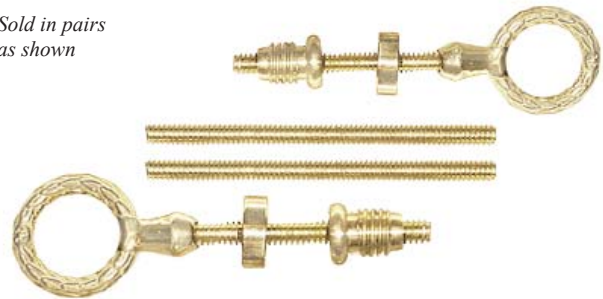


1353-PB brass plated
1353-OB oil rubbed bronze
 Pin is 2" long
 Each bracket is 3/4" X 1 1/4"
 Steel

Mirror Mounting Friction Hinges

Friction is adjusted by tightening the screws on the brackets
 Sold in pairs

Sold in pairs
 as shown



1351-PB polished brass
1351-AB antique brass
1351-PL lacquered polished brass
 1 1/4" ring dia.
 2 threaded studs are provided:
 2 1/4" long & 3 1/2" long
 Solid brass parts with brass plated studs

Cheval mirror mounting hinge set



1401-PB polished brass
1401-PN polished nickel
1401-BN brushed nickel
1401-OB oil rubbed bronze
 Frame: 2 7/8" X 1"
 Card size: 2 1/2" X 1 5/16"
 Stamped brass
Label holder pull



1402-PB polished brass
1402-AB antique brass
1402-PN polished nickel
1402-BN brushed nickel
1402-OB oil rubbed bronze
 Frame: 2 3/8" X 1 1/4"
 Card size: 2" X 1"
 Stamped brass
Label holder pull



1403-PB polished brass
1403-PN polished nickel
1403-BN brushed nickel
1403-OB oil rubbed bronze
 Frame: 3 1/8" X 1 1/2"
 Card size: 2 7/8" X 1 1/4"
 Stamped brass
Label holder pull



1405-PB polished brass
1405-AB antique brass
1405-BN brushed nickel
1405-PN polished nickel
1405-OB oil rubbed bronze
 Frame: 2 1/4" X 1"
 Card size: 1 3/4" X 5/8"
 Pull projects 11/16"
 Cast brass
Label holder pull

Label holders with pulls



1400-PB polished brass
1400-AB antique brass
1400-BN brushed nickel
1400-PN polished nickel
1400-OB oil rubbed bronze
 Frame: 3" X 2"
 Card size: 2 1/4" X 1 1/2"
 Cast brass
Label holder



1406-PB polished brass
1406-BN brushed nickel
1406-PN polished nickel
1406-OB oil rubbed bronze
 Frame: 2 3/8" X 1 1/4"
 Card size: 2" X 1"
 Stamped brass
Label holder

Label holders

Small



1346-PB polished brass
1346-PN polished nickel
1346-OB oil rubbed bronze
 3" center to center
 Solid brass

Large



1149-PB polished brass
1149-PN polished nickel
1149-OB oil rubbed bronze
1149-BN brushed nickel
 3 1/2" center to center
 Solid brass

Early 20th century solid brass handles in two sizes
 For drawers, file cabinets, display cases, etc.
 Oval horizontal bar set off-center to bases

Small



- 1409-PB** polished brass
- 1409-PL** lacquered brass
- 1409-AB** antique brass
- 1409-BN** brushed nickel
- 1409-PN** polished nickel
- 1409-OB** oil rubbed bronze

3 1/2" center to center
 4" overall length
 Solid brass

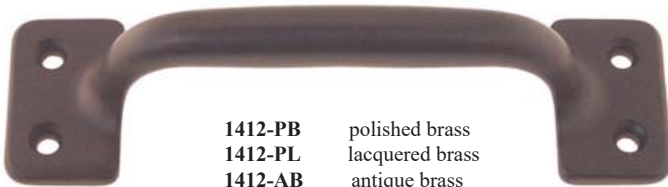
Medium



- 1410-PB** polished brass
- 1410-PL** lacquered brass
- 1410-AB** antique brass
- 1410-BN** brushed nickel
- 1410-PN** polished nickel
- 1410-OB** oil rubbed bronze

4" center to center
 4 3/4" overall length
 1 3/16" wide
 Solid brass

Large

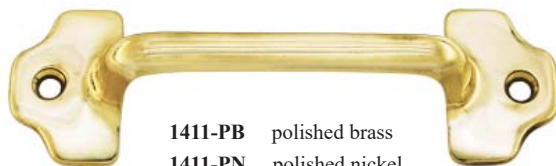


- 1412-PB** polished brass
- 1412-PL** lacquered brass
- 1412-AB** antique brass
- 1412-BN** brushed nickel
- 1412-PN** polished nickel
- 1412-OB** oil rubbed bronze

4 3/8" center to center
 5" overall length
 1 3/16" wide
 Solid brass

A larger size than the other two similar handles enabling a better grip

Bar handles for file cabinets, drawers, sashes, windows etc.



- 1411-PB** polished brass
 - 1411-PN** polished nickel
- 3 3/4" center to center
 4 1/4" overall length
 1 1/4" wide
 Solid brass

Metal grommet for desks



- 6555**
- 2 1/2" inner dia. (hole dia.)
- 3" outer dia. (lid)
- Cable opening: 7/8" wide
- Brass plated Zinc alloy

Premium quality plate made of thick brass sheet



- 6547-PB**
- 3 3/4" long
- 1 3/8" high
- Heavy stamped brass

Keyhole plates for desks

Large keyhole plate for desks



- 1205-PB**
- 5 1/2" long, 1 1/2" high
- Cast brass

With extended selvedge and strike plate



6535
 1" wide , 1 1/2" tall , 5/16" thick
 Selvedge: 2 1/8" X 3/8"
 Strike plate: 2 1/8" X 3/8"
 Selvedge to key pin: 3/4"
 Steel lock with brass strike plate
With key

Mortise locks for drawers can also serve in right-hand cabinet doors



6534
 1" wide, 1 1/2" tall,
 5/16" thick
 Selvedge to key pin: 3/4"
 Polished steel
With key

Small



6536-PB polished brass
6536-AB antique brass
 Plate: 1" X 1 3/4"
 Brass plated steel
With key and keyhole plate

Non-mortise locks for cabinets and wardrobes
 In 2 sizes
 Bolts shoot right and left

Large



6538
 Plate: 1 3/4" X 3"
 Polished steel
With key

Left hand



6532-LH
 1 3/4" wide , 1 5/8" high
 Selvedge to key pin: 5/8"
 Polished steel
With key
 Half-mortise lock for drawers
 and left-hand cabinet doors

Smaller

Right hand



6533-RH
 1 3/4" wide , 1 5/8" high
 Selvedge to key pin: 5/8"
 Polished steel
With key
 Half-mortise lock for drawers
 and right-hand cabinet doors

Half-mortise drawer or cabinet door locks in 2 sizes
 LH or RH denotes orientation when used on cabinet doors

Left hand



6540-LH
 1 3/4" wide , 1 7/8" high
 Selvedge to key pin: 7/8"
 Polished steel
With key
 Half-mortise lock for drawers
 and left-hand cabinet doors

Larger

Right hand



6540-RH
 1 3/4" wide , 1 7/8" high
 Selvedge to key pin: 7/8"
 Polished steel
With key
 Half-mortise lock for drawers
 and right-hand cabinet doors



- 6550-PL** polished brass with lacquer
- 6550-AB** antique brass
- 6550-BK** flat black

Lock case: 1 3/4" wide, 1 3/8" high, 5/16" thick
 Selvedge: 3 3/8" X 5/8", strike plate: 2 3/4" X 1"
 Solid brass selvedge, strike plate, and 2 keys
 Polished steel housing and mechanism
Desk lock with rounded corners
Brass plates available in 3 finishes



Roll top desk locks with self closing strikes

Use square-cornered lock to restore antique desks
 Use round-cornered lock for newly made desks

Advanced mechanism allows removal of key in the unlocked position



*Includes
keyhole
plate*

- 6551-PB** polished brass
 - 6551-PL** lacquered polished brass
- Case: 1 3/4" wide, 1 3/8" high, 5/16" thick
 Selvedge: 3 1/4" X 5/8", strike plate: 2 3/8" X 13/16"
 Solid brass selvedge, strike plate, keyhole plate, and 2 keys
 Brass parts are not lacquered
 Polished steel housing and mechanism
Desk lock with square corners

A narrow lock for clock cases, cabinets, wardrobes etc.



- 6539**
- Case: 13/16" W X 2" H X 5/16" D
 2 7/8" overall height
 Steel
 Dark antique copper finish
With one key
Bolt shoots left and right

Half-mortise lock for chests, boxes, desks, lids, etc.



- 6546**
- 2 5/8" W X 1 9/16" H
 Strike plate: 2 5/8" X 1/2"
 Selvedge to key pin: 1"
 Polished steel
with one key

Skeleton keys for house door locks



- 8730-PB** polished brass
 - 8730-PN** polished nickel
- Overall length: 3 1/8"
 Bit is 3/8" X 3/8"
 High tensile forged brass
*Well-made key will operate
most bit-key locks on the market*

Zinc alloy



6526-PB brass plated
6526-PN nickel plated
 Overall length: 2 7/8" long
 Bow: 1 1/8" wide
 Zinc alloy



6527-PB brass plated
 Overall length: 2 1/2" long
 Bow: 3/4" wide
 Zinc alloy
Fancy bow, larger bit



6531-AB antique brass
6531-AC antique copper
 Overall length: 2 3/8" long
 Bow: 3/4" wide
 Zinc alloy
Fancy bow, smaller bit



6521-PB brass plated
6521-PN nickel plated
 Overall length: 2 1/4"
 Bow: 3/4" wide
 Zinc alloy



6528-PB polished brass
6529-AB antique brass
 Overall length: 2 1/2"
 Bow: 1" wide
 Zinc alloy
Plain bow



6552-PB brass plated
 Overall length: 2 1/2"
 Bow: 1 1/8" long
 Zinc alloy
*Two-bitted keys for desk locks
 Sold in pairs*

Solid brass



6523-PB
 Overall length: 3 1/4"
 Bow: 1 3/8" wide
 Solid brass
*Beautifully detailed key
 For clock cases, cabinets
 and drawer locks*



6524-PB
 Overall length: 3" long
 Bow: 1 1/2" wide
 Solid brass



6520-PB
 Overall length: 2 1/4"
 Bow: 1" long
 Solid brass
Blank key



6525-PB
 Overall length: 2 1/4"
 Bow: 1" long
 Solid brass
Skeleton key



6519-PB
 Overall length: 2 3/4"
 Bow: 1 1/8" long
 Solid brass
Skeleton key



6530-PB brass plated
6530-PN nickel plated
 Overall length: 2 3/8" long
 Bow: 3/4" wide
 Steel
Flat bow

Steel key

Keys to fit most drawer / cabinet door locks on the market



1576-PB polished brass
1576-PN polished nickel
1576-OB oil rubbed bronze
 13/16" wide, 1 3/4" high
 1/2" top diameter
 Stamped brass
Picture molding hook with pressed pattern



1577-PB polished brass
1577-PN polished nickel
1577-OB oil rubbed bronze
 1 3/4" high
 3/4" top diameter
 Half round brass rod
For larger molding

Picture molding hooks



1578-PB polished brass
1578-PN polished nickel
1578-OB oil rubbed bronze
 2" high
 3/4" top diameter
 Cast brass
Heavy duty picture molding hook

1 pt.



6695-ZP
 5/8" wide, 3/4" high
 Steel
*1-point drawer stops
 Sold in bags of 50 pcs*

Drawer stops

2 pt.



6696-ZP
 3/4" wide, 3/4" high
 Steel
*2-point drawer stops
 Sold in bags of 50 pcs*



Good Hardware
 at Good Prices



1141-PB polished brass
1141-PL lacquered polished brass
1141-PN polished nickel
1141-BN brushed nickel
1141-OB oil rubbed bronze
 1 7/16" X 1 3/4"
 Solid brass
Flush (recessed) ring pull



4217-C
 1 3/16" dia.
 1 1/4" projection
 Cherry



4217-M
 1 3/16" dia.
 1 1/4" projection
 Maple



4217-O
 1 3/16" dia.
 1 1/4" projection
 Oak



4217-W
 1 3/16" dia.
 1 1/4" projection
 Walnut

With threaded insert at base to take
 8-32 machine screw (not supplied)

Shaker knobs



Sm.

4210
 1 1/16" dia.
 3/4" projection
 3/8" tenon dia.
 Beech



Med.

4212
 1 3/8" dia.
 1 1/8" projection
 1/2" tenon dia.
 Beech



Lg.

4213
 1 7/8" dia.
 1 5/8" projection
 5/8" tenon dia.
 Beech

Smaller



4347 walnut
4367 oak
 1 1/16" dia.
 Round

Larger



4348 walnut
4368 oak
 1 1/4" dia.
 Round

Wooden keyhole plates

For Victorian and Eastlake
 walnut and oak furniture



4349 walnut
4369 oak
 1 1/4" side
 Diamond shaped



4265 oak
4365 walnut
 2 1/4" X 1 1/2"
 7/8" projection
 Diamond shaped knob
 with 8-32 threaded insert
 and screws



Small

Medium



4200
 3/4" square
 13/16" project.
 Oak

*Pyramid
 oak knobs
 With 8-32 threaded
 inserts and screws*

4201 oak
4201-BK black
4201-C cherry
4201-WI walnut
 1 1/4" square
 7/8" projection
 Oak and other woods

Large



4203
 1 3/4" square
 1 1/8" projection
 Oak



*With 8-32 threaded
 inserts and screws*

4205 pyramid handle
 3" center to center
 4 1/2" X 1 3/8" overall size
 1 1/8" projection
 Oak

Solid oak Arts & Crafts / Mission knobs and handle



*With 8-32 threaded
 inserts and screws*

4426 desk/drawer handle
 7 1/4" wide , 1 5/8" high
 5" center to center
 Oak

*Carved oak pull with 8-32
 threaded inserts and screws*



4425 drawer pull
 6" wide , 2" tall
 3" center to center
 Oak

4411 desk handle
 5" wide, 1 1/4" high
 1" projection
 Oak
 Plain



Smaller handles with threaded inserts at 3 3/4" center to center and screws

4421 desk handle
 5" wide, 1 1/4" high
 1" projection
 Oak
 Carved



4412 desk handle
 7" wide, 1 1/4" high
 1" projection
 Oak
 Plain



Larger handles with threaded inserts at 5 1/2" center to center and screws

4422 desk handle
 7" wide, 1 1/2" high
 1 1/8" projection
 Oak
 Carved





Small



4286 oak
4386 walnut
1 1/2" dia.
7/8" projection

Medium



4288 oak
4388 walnut
2" dia.
1" projection

Smallest



4250
3/4" dia.
3/4" projection
Oak

Small



4251
1" dia.
15/16" projection
Oak

Medium



4252
1 1/4" dia.
1" projection
Oak

Oak knobs in 5 sizes

Large



4253
1 1/2" dia.
1" projection
Oak

Largest



4254
1 3/4" dia.
1" projection
Oak



4901
Base dia.: 2 1/2"
Opening dia.: 1 5/8"
Oak
Caster cup

*Hardwood caster cup to protect the floor
For casters with a diameter of up to 2"*

**Large wood knobs for old houses
kitchens and bathrooms
and traditional furniture**



4275 oak
4375 walnut
1 3/8" dia.
1 1/4" projection



4277 oak
4377 walnut
1 3/4" dia.
1 5/8" projection



4278 oak
4378 walnut
2" dia.
1 3/4" projection



4280 oak
4380 walnut
2 1/2" dia.
1 3/4" projection

**All wood products are sanded and unstained
ready to take a finish**



5683
1" dia.
15/16" projection
White porcelain
With 1 machine screw



5684
1 1/4" dia.
1 1/16" projection
White porcelain
With 1 machine screw



5685
1 1/2" dia.
1 1/4" projection
White porcelain
With 1 machine screw



5697
2" dia.
1 3/8" projection
White porcelain
With 1 machine screw

White porcelain knobs for furniture and cabinets
with embedded 8-32 threaded insert
Screw is installed from the back



5671
1/2" dia.
1/2" projection
White porcelain
With 1 machine screw



5672
3/4" dia.
5/8" projection
White porcelain
With 1 machine screw



5673
1" dia.
7/8" projection
White porcelain
*With 1 wood screw
and 1 machine screw*



5674
1 1/4" dia.
1" projection
White porcelain
*With 1 wood screw
and 1 machine screw*



5675
1 1/2" dia.
1" projection
White porcelain
With 1 machine screw

White porcelain knobs with brass plated screws
For furniture, shutters, pictures etc.
Screw goes through the center of the knob

Small



5305-PB polished brass base
5305-PN polished nickel base
 1 3/16" dia. , 1 1/8" projection
 Shank 1/2" long
Clear glass with brass base

Small



5306-PB polished brass base
5306-PN polished nickel base
 1" dia.
 Brass base
6-sided glass knob

Colonial pattern clear glass knobs
 In 2 sizes, with 2 base finishes



Medium



5307-PB polished brass base
5307-PN polished nickel base
 1 1/4" dia.
 Brass base
6-sided glass knob

Large



5304-PB polished brass base
5304-PN polished nickel base
 1 3/4" dia. , 1 3/8" projection
 Shank 1/2" long
Clear glass with brass base

6-sided star-shaped clear glass knobs
 Brass bases in polished brass or polished nickel
 1/2" long brass shanks - equipped with 5/8" long screws

**IMPORTANT
 INSTALLATION INSTRUCTIONS:**

Glass knobs with brass base - where the screws come from the back and screw into the threaded shank.

Use only hand tools to install glass knobs or pulls on your cabinets. Power tools may cause damage to the thread, the shank or the base.

Hold the knob and turn the screw. Do not turn the knob against the drawer or door wall.

Tighten carefully , but do not overtighten.

Make sure the screw is not too long for the job in order to avoid turning the shank in the base - we include screws that are 5/8" long.

Large



5308-PB polished brass base
5308-PN polished nickel base
 1 7/8" dia.
 Clear glass knob
 Brass base
*6-sided knob
 Extra large size*



5590 clear
5593 opal
 1 3/4" dia.
 1 3/8" projection
*Colonial glass knob
 Very large knob with threaded
 insert - installed with screw
 from the back*



5504 clear
5534 opal
5544 black
5554 Depression green
5574 milk green (jade)
5584 peacock blue
 1 1/8" dia.
 1 1/8" projection
*With a 2 1/2" long N/P bolt
 Round "Beehive" glass knob*



5502 clear
5512 cobalt blue
5532 opal
5572 amber
 1 1/8" dia.
 1 1/8" projection
*Round "Mushroom" glass knob
 With a 2-1/2" long N/P bolt*



5297 clear glass
 1 1/4" dia.
 Glass shank 1/2" dia.
 Includes brass sleeve
*Hex Glass Knob with threaded
 glass shank can be installed
 directly into the wood or with
 the brass sleeve*



5297-F sleeve for Glass Knob
 5/8" long, 1/2" dia.
 Stamped brass
*Used to install glass knob above
 Can be ordered by itself*

Small



5206 clear
5246 black
5256 Depression green
5276 amber
 1" dia.
Fluted glass knob

Medium



5207 clear
5257 Depression green
 1 1/4" dia.
Fluted glass knob

Large



5208 clear
5248 black
 1 1/2" dia.
*Fluted glass knob
 With 3" bolt*

Fluted glass knobs and a handle in 6 colors
 2 1/2" long nickel-plated bolts included



5209 clear
5279 amber
 3" center to center
Fluted glass handle



5296-PN-1.00 nickel plated
5296-PN-1.25 nickel plated
5296-PN-1.50 nickel plated
5296-PB-1.00 brass plated
5296-PB-1.25 brass plated
5296-PB-1.50 brass plated
 Post: 7/32" dia., 7/8" long
 Screw length: 1.00" or 1.25" or 1.50"
 Steel posts and screws

*Posts & Screws: an alternative way to install glass knobs and handles.
 There are 3 lengths of screws corresponding to sizes of knobs.
 Please specify size when ordering (for handles order 1.25" screws).*



1" dia.



1 1/4" dia.

- 5201 clear
 - 5221 red
 - 5231 white
 - 5241 black
 - 5251 Depression green
 - 5261 forest green
 - 5271 amber
 - 5151 opal
 - 5171 milk green (jade)
 - 5191 purple
- 1" dia.
Hex Glass Knobs
With a 2 1/2" long N/P bolt

- 5202 clear
 - 5222 red
 - 5232 white
 - 5242 black
 - 5252 Depression green
 - 5262 forest green
 - 5272 amber
 - 5152 opal
 - 5172 milk green (jade)
 - 5192 purple
- 1 1/4" dia.
Hex Glass Knobs
With a 2 1/2" long N/P bolt



Glass
"bridge"
handle

- 5205 clear
 - 5245 black
 - 5265 forest green
 - 5275 amber
 - 5155 opal
 - 5175 milk green (jade)
- 3" center to center
1 1/4" hexagonal posts
With two 2 1/2" long nickel-plated bolts

Hexagonal knobs and handles
Colored glass



1 1/2" dia.

- 5203 clear
 - 5243 black
 - 5253 Depression green
 - 5263 forest green
 - 5273 amber
 - 5153 opal
 - 5173 milk green (jade)
 - 5193 purple
- 1 1/2" dia.
Hex Glass Knobs
With a 3" long N/P bolt



1 7/8" dia.

- 5204 clear
- 1 7/8" diameter
Hex Glass Knobs
With a 3" long N/P bolt

**IMPORTANT
INSTALLATION INSTRUCTIONS**

Glass knobs with bolt inserted from front through head of knob:

Use only hand tools to install glass knobs or pulls on your cabinets. Power tools may cause damage to the thread or to the knobs.

To tighten, turn only the nut on the back of the screw (this is one reason that the heads of the screws are smooth on top and do not have a slot). Do not turn the knob itself as it may cause breakage.

Tighten the nuts carefully but do not over-tighten - remember they are made of glass so are fragile.



Bolts for Glass Knobs & Handles

- 5291-PN nickel plated 2 1/2" long
- 5292-PB brass plated 2 1/2" long
- 5293-PN nickel plated 3" long
- 5294-PB brass plated 3" long

Authentic pan-head screws come with square nuts. The heads of the screws are smooth. The upper part of the stem is threadless for better appearance.



5205
Clear



5275
Amber



5155
Opal



5175
Jade green



5245
Black



5265
Forest green

Glass handles with hexagonal posts

Handle comes with 2 nickel-plated screws



Octagonal glass knobs and handles with brass bases



Amber

Available with 4 choices for the finish of the base:
Polished Brass, Polished Nickel, Brushed Nickel, and Oil rubbed Bronze
Please specify base finish when ordering



Depression Green



Black

Depression Green



Black

Opal

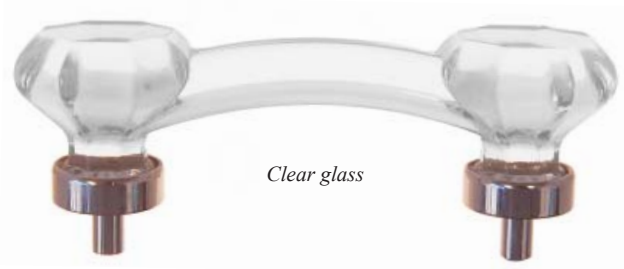


The posts of the handle are the same size as the medium size knobs on the right hand side of this page

Opal



Bridge handle 3" CC



Clear glass

Clear glass



Medium knob

- 5752-PB clear
- 5752-PN clear
- 5752-BN clear
- 5752-OB clear
- 5754-PB opal
- 5754-PN opal
- 5754-BN opal
- 5754-OB opal
- 5755-PB Depression green
- 5755-PN Depression green
- 5755-BN Depression green
- 5755-OB Depression green
- 5756-PB black
- 5756-PN black
- 5756-BN black
- 5756-OB black
- 5757-PB amber
- 5757-PN amber
- 5757-BN amber
- 5757-OB amber

3" center to center
1 1/4" post diameter
1 1/4" projection
Glass "bridge" handles with octagonal posts
5 colors with 4 base finishes:
PB,PN, BN and OB.

- 5722-PB clear
- 5722-PN clear
- 5722-BN clear
- 5722-OB clear
- 5724-PB opal
- 5724-PN opal
- 5724-BN opal
- 5724-OB opal
- 5725-PB Depression green
- 5725-PN Depression green
- 5725-BN Depression green
- 5725-OB Depression green
- 5726-PB black
- 5726-PN black
- 5726-BN black
- 5726-OB black

1 1/4" dia.
1 3/16" projection
Octagonal glass knob
Brass base
6 colors with 4 base finishes:
PB,PN, BN and OB.



Octagonal glass knobs with brass bases

Available with 4 choices for the finish of the base:
 Polished Brass, Polished Nickel, Brushed Nickel, and Oil rubbed Bronze
 Please specify base finish when ordering



Black



Amber

Clear glass



Depression Green



Opal

Small knob



Depression Green

Opal



Large knob



Black

Clear glass



- 5712-PB clear
- 5712-PN clear
- 5712-BN clear
- 5712-OB clear
- 5714-PB opal
- 5714-PN opal
- 5714-BN opal
- 5714-OB opal
- 5715-PB Depression green
- 5715-PN Depression green
- 5715-BN Depression green
- 5715-OB Depression green
- 5716-PB black
- 5716-PN black
- 5716-BN black
- 5716-OB black
- 5717-PN amber
- 5717-BN amber

1" dia.
 15/16" projection
 Octagonal glass knob
 Brass base
 6 colors with 4 base finishes:
 PB, PN, BN and OB

- 5732-PB clear
- 5732-PN clear
- 5732-BN clear
- 5732-OB clear
- 5734-PB opal
- 5734-PN opal
- 5734-BN opal
- 5734-OB opal
- 5735-PB Dep. green
- 5735-PN Dep. green
- 5735-BN Dep. green
- 5735-OB Dep. green
- 5736-PB black
- 5736-PN black
- 5736-BN black
- 5736-OB black

1 1/2" dia.
 1 1/4" projection
 Octagonal glass knob
 Brass base
 4 colors with 4 base finishes :
 PB, PN, BN and OB



DS-05/06/07/08/09
 Base: 8 1/4" X 5 1/2"
 Height: 13"

B&M Hardware Co. display stands for doorknobs, roses and escutcheon plates feature various groupings of our doorknobs and trim. We can make them with any combination of trim and knobs that you prefer.



**Table / shelf displays
 for door hardware
 Call for more information**



Timely Hardware



Fittings with History